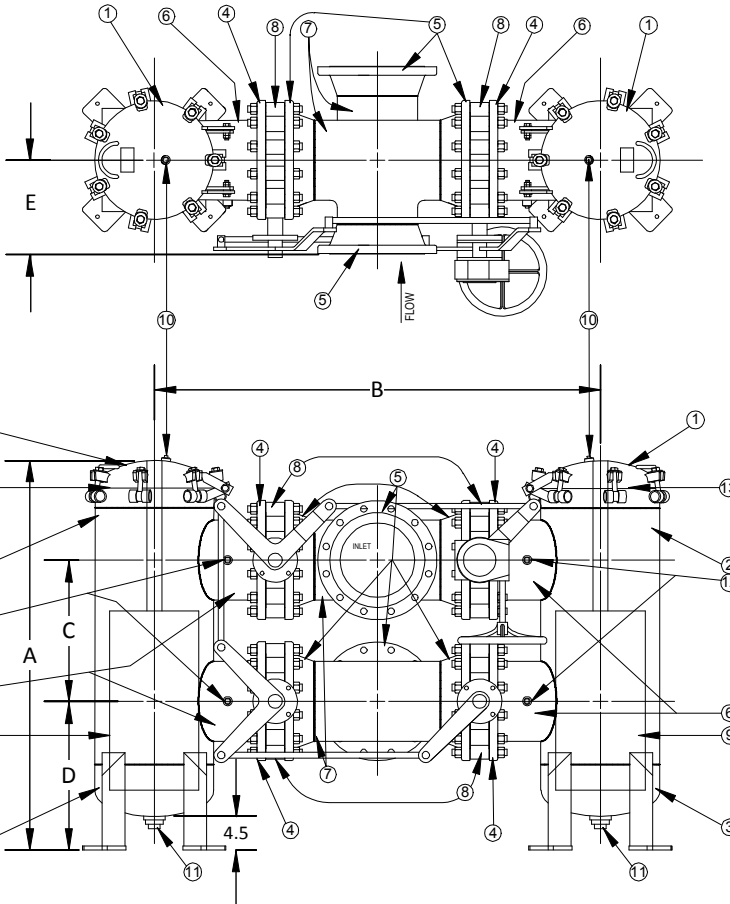


DRAWING NO.
AL 95100



BODY PRESSURE & TEMPERATURE RATINGS – NON SHOCK											
NOM. RATING	Up to 450°F										
	4"	5"	6"	8"	10"	12"	14"	16"	18"	20"	24"
150# RFSO	185	185	245	255	185	185	175	190	190	180	180

Pressure limitations due to quick open cover design.


Product Number†	DIMENSIONS (in)								
	SIZE	A	B	C	D	E	Vent	Drain	Weight (lbs)
42RFFD-F34125P34-BOQB	4	39	38	12	14	7-1/8	1/2	3/4	554
52RFFD-F34125P34-BOQB	5	41	42	13	14	8-3/8	1/2	1	625
62RFFD-F34125P34-BOQB	6	45	46	14	15	9-1/8	1/2	2	817
82RFFD-F34125P34-BOQB	8	50	54	16	17	11	1/2	2	1160
102RFFD-F34125P34-BOQB	10	58	60	19	20	12-1/2	1/2	2	1688
122RFFD-F34125P34-BOQB	12	68	67	23	24	14-1/2	1/2	2	2331
142RFFD-F34125P34-BOQB	14	71	74	24	24	16	1/2	2	2928
162RFFD-F34125P34-BOQB	16	79	80	27	27	17	1/2	2	4007
182RFFD-F34125P34-BOQB	18	82	85	28	27	19	1/2	2	4444
202RFFD-F34125P34-BOQB	20	88	95	31	28	20-3/4	1/2	2	5906
242RFFD-F34125P34-BOQB	24	105	104	35	30	23	1/2	2	8112

†See "Style FD Product Number Configuration" for additional options.

PARTS LIST

Item	Description	Material
1	150lb. T-Bolt Cover	Stainless Steel (ASTM A 240, Grade 304)
2	Standard Weight Pipe	Stainless Steel (ASTM A 312, Grade TP-304)
3	Standard Weight End Cap	Stainless Steel (ASTM A 403, Grade WP-304)
4	150lb. Slip-On Flange	Stainless Steel (ASTM A 182, Grade F-304)
5	150lb. Weld-Neck Flange	Stainless Steel (ASTM A 182, Grade F-304)
6	Standard Weight Pipe	Stainless Steel (ASTM A 312, Grade TP-304)
7	Standard Weight Tee	Stainless Steel (ASTM A 403, Grade WP-304)
8	Butterfly Valves	Cast Iron Body / Stainless Steel (304) Discs – Buna-n Seats / Single Gear Operator
9	Baskets	Stainless Steel (304) – 1/8" Perforations
10	Air Vent	3000# NPT SS Half Coupling (ASTM A 182, Grade 304)
11	Drain Connection	3000# NPT SS Half Coupling (ASTM A 182, Grade 304)
12	Differential Pressure Taps	3000# NPT SS Half Coupling (ASTM A 182, Grade 304)
13	O-Ring	Buna-n

*Buna-n o-ring good for temperatures up to 250°F. For higher temperatures, consult Factory.

 3400 CLEVELAND SKOKIE ILLINOIS	DRAWING NO. AL 95100
	PART NO.
DIMENSIONAL ASSEMBLY	SCALE: NTS
150Lb. Flange Style FSSDPXF Fabricated Duplex Basket Strainer	DATE: 07/01/2011
MAT'L: Fabricated (304ss)	REQ. --- DR. BY DSF