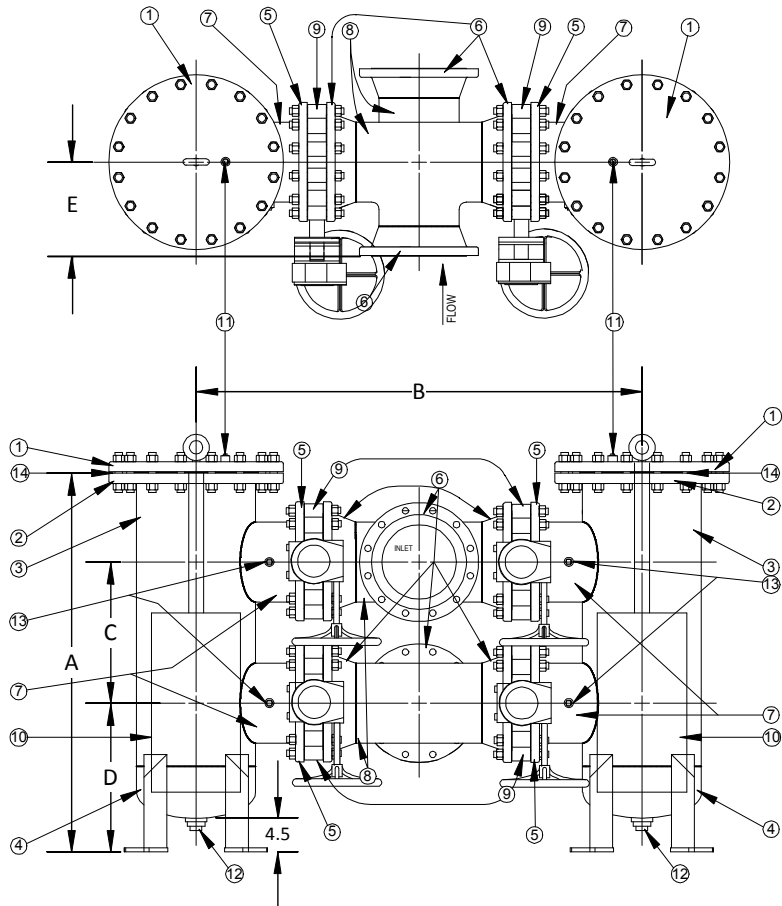


DRAWING NO.  
AL 94120



**BODY PRESSURE & TEMPERATURE RATINGS – NON SHOCK**

<b>NOM. RATING</b>	<b>2" to 24"</b>
300# RFWN	720 PSI @ 100°F


Product Number†	DIMENSIONS (in)								
	SIZE	A	B	C	D	E	Vent	Drain	Weight (lbs)
24RFFD-F34125P34-FDB	2	29	26	10	10	5-1/4	1/2	1/2	314
21/24RFFD-F34125P34-FDB	2-1/2	32	29	11	11-1/2	6	1/2	1/2	422
34RFFD-F34125P34-FDB	3	38	30	12	13	6-1/2	1/2	3/4	602
44RFFD-F34125P34-FDB	4	39	38	13	14	7-1/2	1/2	3/4	1004
54RFFD-F34125P34-FDB	5	41	42	14	14	8-3/4	1/2	1	1158
64RFFD-F34125P34-FDB	6	45	46	16	15	9-1/2	1/2	2	1581
84RFFD-F34125P34-FDB	8	50	54	18	17	11-3/8	1/2	2	2330
104RFFD-F34125P34-FDB	10	57	60	21	20	13-1/8	1/2	2	3665
124RFFD-F34125P34-FDB	12	67	67	25	24	15-1/8	1/2	2	5048
144RFFD-F34125P34-FDB	14	69	74	26	24	16-5/8	1/2	2	6650
164RFFD-F34125P34-FDB	16	76	80	29	27	17-3/4	1/2	2	9239
184RFFD-F34125P34-FDB	18	80	85	31	27	19-3/4	1/2	2	10848
204RFFD-F34125P34-FDB	20	85	95	34	28	21-3/8	1/2	2	14688
244RFFD-F34125P34-FDB	24	102	104	39	30	23-5/8	1/2	2	18626

†See "Style FD Product Number Configuration" for additional options.

**PARTS LIST**

Item	Description	Material
1	300lb. Blind Covers	Stainless Steel (ASTM A 182, Grade F-304)
2	300lb. Slip-On Flange	Stainless Steel (ASTM A 182, Grade F-304)
3	Standard Weight Pipe	Stainless Steel (ASTM A 312, Grade TP-304)
4	Standard Weight End Cap	Stainless Steel (ASTM A 403, Grade WP-304)
5	300lb. Slip-On Flange	Stainless Steel (ASTM A 182, Grade F-304)
6	300lb. Weld-Neck Flange	Stainless Steel (ASTM A 182, Grade F-304)
7	Standard Weight Pipe	Stainless Steel (ASTM A 312, Grade TP-304)
8	Standard Weight Tee	Stainless Steel (ASTM A 403, Grade WP-304)
9	Butterfly Valves	Cast Iron Body / Ductile Iron Nickel Coated Discs – Buna-n Seats / Single Gear Operator
10	Baskets	Stainless Steel (304) – 1/8" Perforations
11	Air Vent	3000# NPT SS Half Coupling (ASTM A 182, Grade 304)
12	Drain Connection	3000# NPT SS Half Coupling (ASTM A 182, Grade 304)
13	Differential Pressure Taps	3000# NPT SS Half Coupling (ASTM A 182, Grade 304)
14	Cover Gasket	Fiber

\*Buna-n o-ring good for temperatures up to 250°F. For higher temperatures, consult Factory.

 3400 CLEVELAND SKOKIE ILLINOIS	DRAWING NO. AL 94120
	PART NO.
DIMENSIONAL ASSEMBLY	SCALE: NTS
300Lb. Flange Style FSSDPXF Fabricated Duplex Basket Strainer	DATE: 07/01/2011
MAT'L: Fabricated (304ss)      REQ. ---	DR. BY DSF