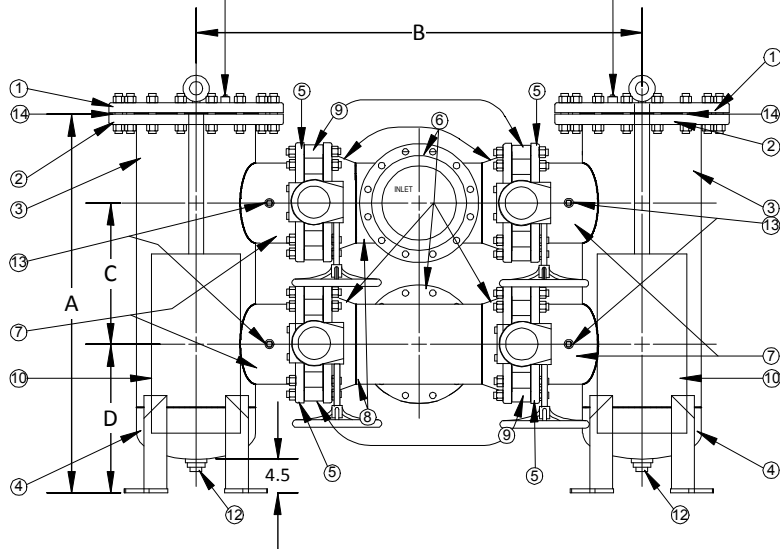
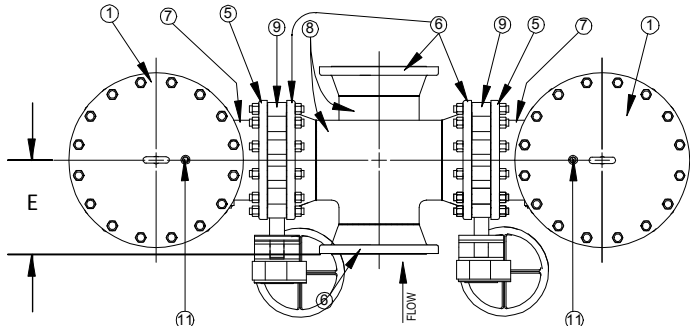


DRAWING NO.  
AL 94220



**BODY PRESSURE & TEMPERATURE RATINGS – NON SHOCK**

<b>NOM. RATING</b>	<b>2" to 24"</b>
300# RFWN	720 PSI @ 100°F

Product Number†	DIMENSIONS (in)								
	SIZE	A	B	C	D	E	Vent	Drain	Weight (lbs)
24RFFD-F36125P34-FDB	2	29	26	10	10	5-1/4	1/2	1/2	314
21/24RFFD-F36125P34-FDB	2-1/2	32	30	11	11-1/2	6	1/2	1/2	422
34RFFD-F36125P34-FDB	3	38	31	12	13	6-1/2	1/2	3/4	602
44RFFD-F36125P34-FDB	4	39	35	13	14	7-1/2	1/2	3/4	1004
54RFFD-F36125P34-FDB	5	41	37	14	14	8-3/4	1/2	1	1158
64RFFD-F36125P34-FDB	6	45	43	16	15	9-1/2	1/2	2	1581
84RFFD-F36125P34-FDB	8	50	49	18	17	11-3/8	1/2	2	2330
104RFFD-F36125P34-FDB	10	57	63	21	20	13-1/8	1/2	2	3665
124RFFD-F36125P34-FDB	12	67	71	25	24	15-1/8	1/2	2	5048
144RFFD-F36125P34-FDB	14	69	77	26	24	16-5/8	1/2	2	6650
164RFFD-F36125P34-FDB	16	76	84	29	27	17-3/4	1/2	2	9239
184RFFD-F36125P34-FDB	18	80	89	31	27	19-3/4	1/2	2	10848
204RFFD-F36125P34-FDB	20	85	94	34	28	21-3/8	1/2	2	14688
244RFFD-F36125P34-FDB	24	102	104	39	30	23-5/8	1/2	2	18626

†See "Style FD Product Number Configuration" for additional options.

**PARTS LIST**

Item	Description	Material
1	300lb. Blind Covers	Stainless Steel (ASTM A 182, Grade F-316)
2	300lb. Slip-On Flange	Stainless Steel (ASTM A 182, Grade F-316)
3	Standard Weight Pipe	Stainless Steel (ASTM A 312, Grade TP-316)
4	Standard Weight End Cap	Stainless Steel (ASTM A 403, Grade WP-316)
5	300lb. Slip-On Flange	Stainless Steel (ASTM A 182, Grade F-316)
6	300lb. Weld-Neck Flange	Stainless Steel (ASTM A 182, Grade F-316)
7	Standard Weight Pipe	Stainless Steel (ASTM A 312, Grade TP-316)
8	Standard Weight Tee	Stainless Steel (ASTM A 403, Grade WP-316)
9	Butterfly Valves	Cast Iron Body / Ductile Iron Nickel Coated Discs – Buna-n Seats / Single Gear Operator
10	Baskets	Stainless Steel (304) – 1/8" Perforations
11	Air Vent	3000# NPT SS Half Coupling (ASTM A 182, Grade 316)
12	Drain Connection	3000# NPT SS Half Coupling (ASTM A 182, Grade 316)
13	Differential Pressure Taps	3000# NPT SS Half Coupling (ASTM A 182, Grade 316)
14	Cover Gasket	Fiber

\*Buna-n o-ring good for temperatures up to 250°F. For higher temperatures, consult Factory.



3400 CLEVELAND SKOKIE ILLINOIS

<p><b>DIMENSIONAL ASSEMBLY</b></p> <p>300Lb. Flange Style FSSDPXF</p> <p>Fabricated Duplex Basket Strainer</p>		DRAWING NO. AL 94220
		PART NO.
<p>MAT'L: Fabricated (316ss)</p>		SCALE: NTS
<p>REQ. ---</p>		DATE: 07/01/2011
		DR. BY DSF