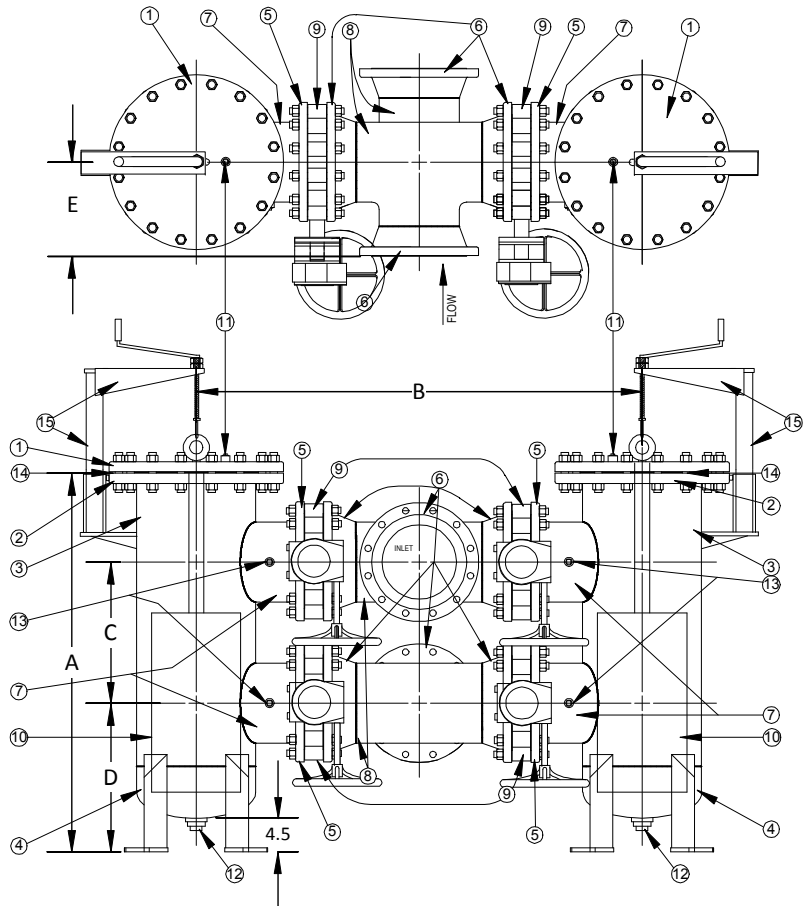


DRAWING NO.
AL 94520



BODY PRESSURE & TEMPERATURE RATINGS – NON SHOCK	
NOM. RATING	2" to 24"
300# RFWN	740 PSI @ 100°F


Product Number†	DIMENSIONS (in)								
	SIZE	A	B	C	D	E	Vent	Drain	Weight (lbs)
24RFFD-FCS125P34-FDB	2	29	26	10	10	5-1/4	1/2	1/2	314
21/24RFFD-FCS125P34-FDB	2-1/2	32	30	11	11-1/2	6	1/2	1/2	422
34RFFD-FCS125P34-FDB	3	38	31	12	13	6-1/2	1/2	3/4	602
44RFFD-FCS125P34-FDB	4	39	35	13	14	7-1/2	1/2	3/4	1004
54RFFD-FCS125P34-FDB	5	41	37	14	14	8-3/4	1/2	1	1158
64RFFD-FCS125P34-FDB	6	45	43	16	15	9-1/2	1/2	2	1581
84RFFD-FCS125P34-FDB	8	50	49	18	17	11-3/8	1/2	2	2330
104RFFD-FCS125P34-FDB	10	57	63	21	20	13-1/8	1/2	2	3665
124RFFD-FCS125P34-FDB	12	67	71	25	24	15-1/8	1/2	2	5048
144RFFD-FCS125P34-FDB	14	69	77	26	24	16-5/8	1/2	2	6650
164RFFD-FCS125P34-FDB	16	76	84	29	27	17-3/4	1/2	2	9239
184RFFD-FCS125P34-FDB	18	80	89	31	27	19-3/4	1/2	2	10848
204RFFD-FCS125P34-FDB	20	85	94	34	28	21-3/8	1/2	2	14688
244RFFD-FCS125P34-FDB	24	102	104	39	30	23-5/8	1/2	2	18626

†See "Style FD Product Number Configuration" for additional options.

PARTS LIST

Item	Description	Material
1	300lb. Blind Covers	Carbon Steel (ASTM A 105)
2	300lb. Slip-On Flange	Carbon Steel (ASTM A 105)
3	Standard Weight Pipe	Carbon Steel (ASTM A 53)
4	Standard Weight End Cap	Carbon Steel (ASTM A 234, Grade WPB)
5	300lb. Slip-On Flange	Carbon Steel (ASTM A 105)
6	300lb. Weld-Neck Flange	Carbon Steel (ASTM A 105)
7	Standard Weight Pipe	Carbon Steel (ASTM A 53)
8	Standard Weight Tee	Carbon Steel (ASTM A 234, Grade WPB)
9	Butterfly Valves	Cast Iron Body / Ductile Iron Nickel Coated Discs – Buna-n Seats / Single Gear Operator
10	Baskets	Stainless Steel (304) – 1/8" Perforations
11	Air Vent	3000# NPT CS half Coupling (ASTM A 105)
12	Drain Connection	3000# NPT CS half Coupling (ASTM A 105)
13	Differential Pressure Taps	3000# NPT CS half Coupling (ASTM A 105)
14	Cover Gasket	Fiber
15	Lifting Davit Components	Carbon Steel (ASTM A 53 & ASTM A 36)

*Buna-n o-ring good for temperatures up to 250°F. For higher temperatures, consult Factory.

 3400 CLEVELAND SKOKIE ILLINOIS	DRAWING NO. AL 94520
	PART NO.
DIMENSIONAL ASSEMBLY	SCALE: NTS
300Lb. Flange Style FSDPXF	DATE: 07/01/2011
Fabricated Duplex Basket Strainer	DR. BY DSF
MAT'L: Fabricated Carbon Steel	REQ. ---