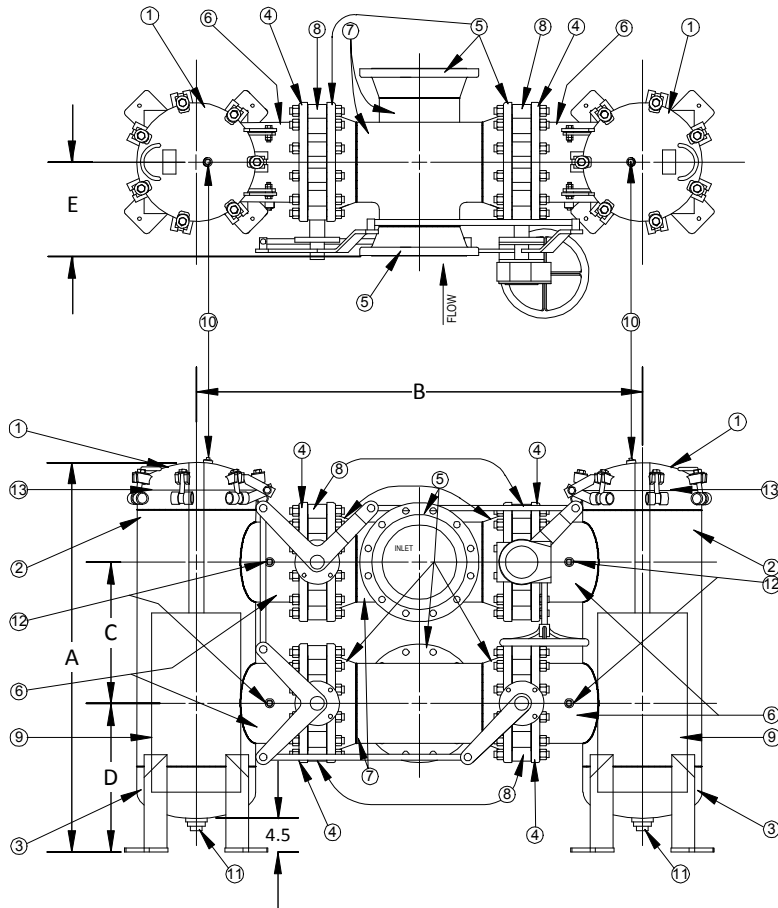


DRAWING NO.
AL 95020



BODY PRESSURE & TEMPERATURE RATINGS – NON SHOCK											
NOM. RATING	Up to 450°F										
	4"	5"	6"	8"	10"	12"	14"	16"	18"	20"	24"
300# RFSO	390	390	365	380	385	375	355	310	310	240	240

Pressure limitations due to quick open cover design.


Product Number†	DIMENSIONS (in)								
	SIZE	A	B	C	D	E	Vent	Drain	Weight (lbs)
44RFFD-FCS125P34-BOQB	4	42	35	13	14	7-1/2	1/2	3/4	764
54RFFD-FCS125P34-BOQB	5	44	37	14	14	8-3/4	1/2	1	938
64RFFD-FCS125P34-BOQB	6	48	43	16	15	9-1/2	1/2	2	1227
84RFFD-FCS125P34-BOQB	8	54	49	18	17	11-3/8	1/2	2	1807
104RFFD-FCS125P34-BOQB	10	62	63	21	20	13-1/8	1/2	2	2681
124RFFD-FCS125P34-BOQB	12	72	71	25	24	15-1/8	1/2	2	3893
144RFFD-FCS125P34-BOQB	14	75	77	26	24	16-5/8	1/2	2	5260
164RFFD-FCS125P34-BOQB	16	83	84	29	27	17-3/4	1/2	2	7070
184RFFD-FCS125P34-BOQB	18	87	89	31	27	19-3/4	1/2	2	8678
204RFFD-FCS125P34-BOQB	20	93	94	34	28	21-1/2	1/2	2	10547
244RFFD-FCS125P34-BOQB	24	111	104	39	30	23-5/8	1/2	2	14485

†See "Style FD Product Number Configuration" for additional options.

PARTS LIST

Item	Description	Material
1	300lb. T-Bolt Cover	Carbon Steel (ASTM A 516, Grade 70)
2	Standard Weight Pipe	Carbon Steel (ASTM A 53)
3	Standard Weight End Cap	Carbon Steel (ASTM A 234, Grade WPB)
4	300lb. Slip-On Flange	Carbon Steel (ASTM A 105)
5	300lb. Weld-Neck Flange	Carbon Steel (ASTM A 105)
6	Standard Weight Pipe	Carbon Steel (ASTM A 53)
7	Standard Weight Tee	Carbon Steel (ASTM A 234, Grade WPB)
8	Butterfly Valves	Cast Iron Body / Ductile Iron Nickel Coated Discs – Buna-n Seats / Single Gear Operator
9	Baskets	Stainless Steel (304) – 1/8" Perforations
10	Air Vent	3000# NPT CS Half Coupling (ASTM A 105)
11	Drain Connection	3000# NPT CS Half Coupling (ASTM A 105)
12	Differential Pressure Taps	3000# NPT CS Half Coupling (ASTM A 105)
13	O-Ring	Buna-n

*Buna-n o-ring good for temperatures up to 250°F. For higher temperatures, consult Factory.

 3400 CLEVELAND SKOKIE ILLINOIS	DRAWING NO. AL 95020
	PART NO.
DIMENSIONAL ASSEMBLY	SCALE: NTS
300Lb. Flange Style FSDPXF	DATE: 07/01/2011
Fabricated Duplex Basket Strainer	DR. BY DSF
MAT'L: Fabricated Carbon Steel	REQ. ---