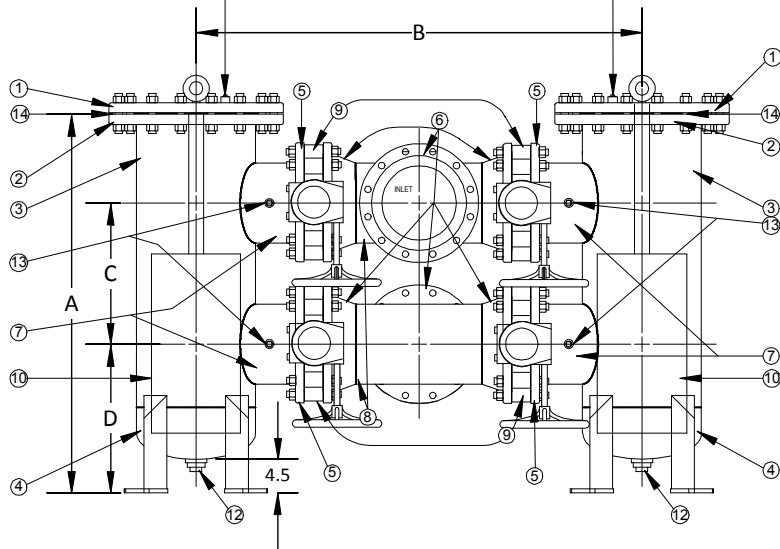
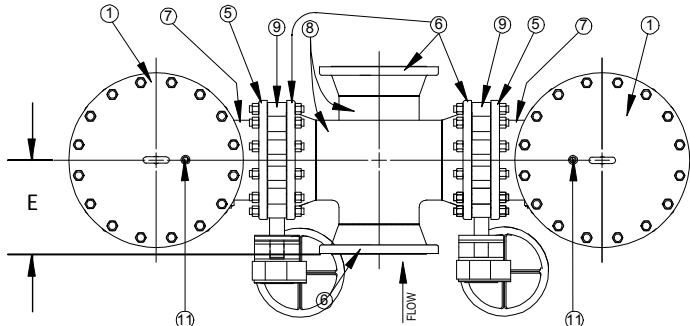


DRAWING NO.  
AL 94140



| BODY PRESSURE & TEMPERATURE RATINGS – NON SHOCK |                  |
|---|------------------|
| NOM. RATING                                     | 8" to 24"        |
| 600# RFWN                                       | 1440 PSI @ 100°F |


| Product Number†       | DIMENSIONS (in) |     |     |    |    |        |      |       |              |
|-----------------------|-----------------|-----|-----|----|----|--------|------|-------|--------------|
|                       | SIZE            | A   | B   | C  | D  | E      | Vent | Drain | Weight (lbs) |
| 85RFFD-F34125P34-FDB  | 8               | 53  | 55  | 20 | 17 | 12-1/2 | 1/2  | 2     | 3106         |
| 105RFFD-F34125P34-FDB | 10              | 61  | 70  | 23 | 20 | 15     | 1/2  | 2     | 5298         |
| 125RFFD-F34125P34-FDB | 12              | 70  | 77  | 26 | 24 | 16-3/8 | 1/2  | 2     | 7551         |
| 145RFFD-F34125P34-FDB | 14              | 72  | 82  | 27 | 24 | 17-3/4 | 1/2  | 2     | 10357        |
| 165RFFD-F34125P34-FDB | 16              | 80  | 91  | 30 | 27 | 19-1/4 | 1/2  | 2     | 14528        |
| 185RFFD-F34125P34-FDB | 18              | 84  | 96  | 33 | 27 | 21     | 1/2  | 2     | 17155        |
| 205RFFD-F34125P34-FDB | 20              | 89  | 101 | 35 | 28 | 22-3/4 | 1/2  | 2     | 23683        |
| 245RFFD-F34125P34-FDB | 24              | 107 | 111 | 40 | 30 | 25-1/4 | 1/2  | 2     | 29961        |

†See "Style FD Product Number Configuration" for additional options.

**PARTS LIST**

| Item | Description                | Material   |
|------|----------------------------|--|
| 1    | 600lb. Blind Covers        | Stainless Steel (ASTM A 182, Grade F-304)  |
| 2    | 600lb. Slip-On Flange      | Stainless Steel (ASTM A 182, Grade F-304)  |
| 3    | Standard Weight Pipe       | Stainless Steel (ASTM A 312, Grade TP-304)   |
| 4    | Standard Weight End Cap    | Stainless Steel (ASTM A 403, Grade WP-304)   |
| 5    | 600lb. Slip-On Flange      | Stainless Steel (ASTM A 182, Grade F-304)  |
| 6    | 600lb. Weld-Neck Flange    | Stainless Steel (ASTM A 182, Grade F-304)  |
| 7    | Standard Weight Pipe       | Stainless Steel (ASTM A 312, Grade TP-304)   |
| 8    | Standard Weight Tee        | Stainless Steel (ASTM A 403, Grade WP-304)   |
| 9    | Butterfly Valves           | Cast Iron Body / Ductile Iron Nickel Coated Discs<br>– Buna-n Seats / Single Gear Operator |
| 10   | Baskets                    | Stainless Steel (304) – 1/8" Perforations  |
| 11   | Air Vent                   | 3000# NPT SS Half Coupling (ASTM A 182, Grade 304)   |
| 12   | Drain Connection           | 3000# NPT SS Half Coupling (ASTM A 182, Grade 304)   |
| 13   | Differential Pressure Taps | 3000# NPT SS Half Coupling (ASTM A 182, Grade 304)   |
| 14   | Cover Gasket               | Fiber  |

\*Buna-n o-ring good for temperatures up to 250°F. For higher temperatures, consult Factory.

|   |                         |
|---|-------------------------|
| <br>3400 CLEVELAND SKOKIE ILLINOIS | DRAWING NO.<br>AL 94140 |
|   | PART NO.                |
| DIMENSIONAL ASSEMBLY  | SCALE: NTS              |
| 600Lb. Flange Style FSSDPXF<br>Fabricated Duplex Basket Strainer  | DATE: 07/01/2011        |
| MAT'L: Fabricated (304ss)      REQ. ---   | DR. BY DSF              |