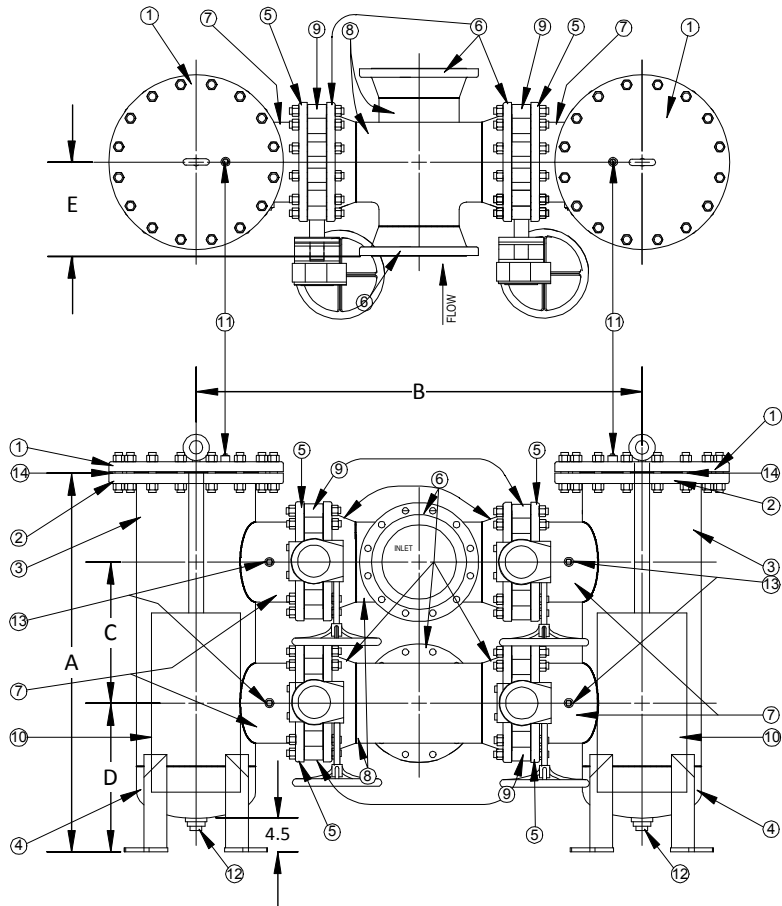


DRAWING NO.
AL 94240



BODY PRESSURE & TEMPERATURE RATINGS – NON SHOCK	
NOM. RATING	8" to 24"
600# RFWN	1440 PSI @ 100°F


Product Number†	DIMENSIONS (in)								
	SIZE	A	B	C	D	E	Vent	Drain	Weight (lbs)
85RFFD-F36125P34-FDB	8	53	55	20	17	12-1/2	1/2	2	3106
105RFFD-F36125P34-FDB	10	61	70	23	20	15	1/2	2	5298
125RFFD-F36125P34-FDB	12	70	77	26	24	16-3/8	1/2	2	7551
145RFFD-F36125P34-FDB	14	72	82	27	24	17-3/4	1/2	2	10357
165RFFD-F36125P34-FDB	16	80	91	30	27	19-1/4	1/2	2	14528
185RFFD-F36125P34-FDB	18	84	96	33	27	21	1/2	2	17155
205RFFD-F36125P34-FDB	20	89	101	35	28	22-3/4	1/2	2	23683
245RFFD-F36125P34-FDB	24	107	111	40	30	25-1/4	1/2	2	29961

†See "Style FD Product Number Configuration" for additional options.

PARTS LIST

Item	Description	Material
1	600lb. Blind Covers	Stainless Steel (ASTM A 182, Grade F-316)
2	600lb. Slip-On Flange	Stainless Steel (ASTM A 182, Grade F-316)
3	Standard Weight Pipe	Stainless Steel (ASTM A 312, Grade TP-316)
4	Standard Weight End Cap	Stainless Steel (ASTM A 403, Grade WP-316)
5	600lb. Slip-On Flange	Stainless Steel (ASTM A 182, Grade F-316)
6	600lb. Weld-Neck Flange	Stainless Steel (ASTM A 182, Grade F-316)
7	Standard Weight Pipe	Stainless Steel (ASTM A 312, Grade TP-316)
8	Standard Weight Tee	Stainless Steel (ASTM A 403, Grade WP-316)
9	Butterfly Valves	Cast Iron Body / Ductile Iron Nickel Coated Discs – Buna-n Seats / Single Gear Operator
10	Baskets	Stainless Steel (304) – 1/8" Perforations
11	Air Vent	3000# NPT SS Half Coupling (ASTM A 182, Grade 316)
12	Drain Connection	3000# NPT SS Half Coupling (ASTM A 182, Grade 316)
13	Differential Pressure Taps	3000# NPT SS Half Coupling (ASTM A 182, Grade 316)
14	Cover Gasket	Fiber

*Buna-n o-ring good for temperatures up to 250°F. For higher temperatures, consult Factory.

 3400 CLEVELAND SKOKIE ILLINOIS	DRAWING NO. AL 94240
	PART NO.
DIMENSIONAL ASSEMBLY	SCALE: NTS
600Lb. Flange Style FSSDPXF Fabricated Duplex Basket Strainer	DATE: 07/01/2011
MAT'L: Fabricated (316ss) REQ. ---	DR. BY DSF