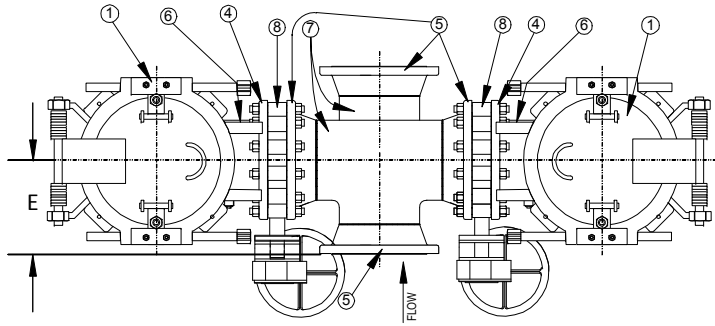
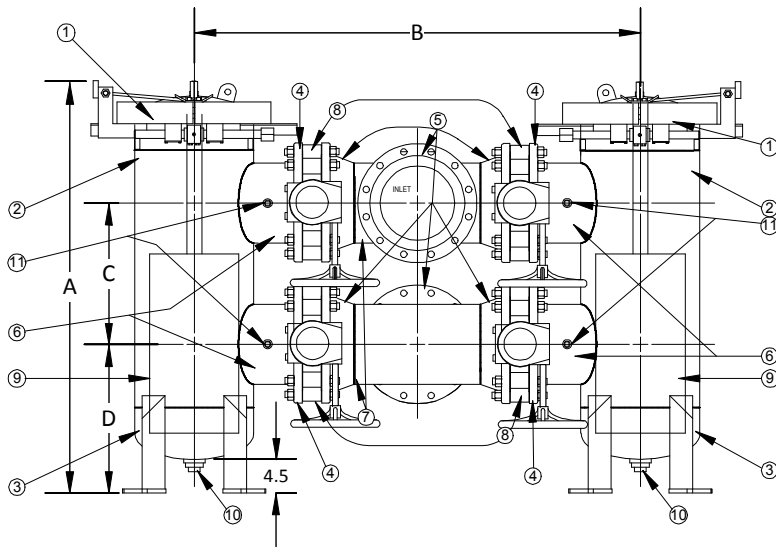


DRAWING NO.  
AL 95040



BODY PRESSURE & TEMPERATURE RATINGS – NON SHOCK	
NOM. RATING	8" to 24"
600# RFWN	1480 PSI @ 100°F




Product Number†	DIMENSIONS (in)								
	SIZE	A	B	C	D	E	Vent	Drain	Weight (lbs)
85RFFD-FCS125P34-BOQB	8	61	55	20	17	12-1/2	1/2	2	2996
105RFFD-FCS125P34-BOQB	10	70	70	23	20	15	1/2	2	5142
125RFFD-FCS125P34-BOQB	12	80	77	26	24	16-3/8	1/2	2	7320
145RFFD-FCS125P34-BOQB	14	87	82	27	24	17-3/4	1/2	2	9576
165RFFD-FCS125P34-BOQB	16	96	91	30	27	19-1/4	1/2	2	14161
185RFFD-FCS125P34-BOQB	18	100	96	33	27	21	1/2	2	16792
205RFFD-FCS125P34-BOQB	20	106	101	35	28	22-3/4	1/2	2	23650
245RFFD-FCS125P34-BOQB	24	124	111	40	30	25-1/4	1/2	2	29257

†See "Style FD Product Number Configuration" for additional options.

**PARTS LIST**

Item	Description	Material
1	600lb. Double Bolt Cover	Carbon Steel (ASTM A 517, Grade 70)
2	Standard Weight Pipe	Carbon Steel (ASTM A 53)
3	Standard Weight End Cap	Carbon Steel (ASTM A 234, Grade WPB)
4	600lb. Slip-On Flange	Carbon Steel (ASTM A 105)
5	600lb. Weld-Neck Flange	Carbon Steel (ASTM A 105)
6	Standard Weight Pipe	Carbon Steel (ASTM A 53)
7	Standard Weight Tee	Carbon Steel (ASTM A 234, Grade WPB)
8	Butterfly Valves	Cast Iron Body / Ductile Iron Nickel Coated Discs – Buna-n Seats / Single Gear Operator
9	Baskets	Stainless Steel (304) – 1/8" Perforations
10	Drain Connection	3000# NPT CS Half Coupling (ASTM A 105)
11	Differential Pressure Taps	3000# NPT CS Half Coupling (ASTM A 105)
12*	O-Ring (Not Shown)	Viton

\*Viton o-ring good for temperatures up to 400°F. For higher temperatures, consult Factory.

 3400 CLEVELAND SKOKIE ILLINOIS	DRAWING NO. AL 95040
	PART NO.
DIMENSIONAL ASSEMBLY	SCALE: NTS
600Lb. Flange Style FSDPXF	DATE: 07/01/2011
Fabricated Duplex Basket Strainer	DR. BY DSF
MAT'L: Fabricated Carbon Steel	REQ. ---