

STYLE TC

Temporary Cone Strainer
Carbon steel & Stainless Steel
150 lb., 300 lb., & 600 lb.



STYLE TB

Temporary Basket Strainer
Carbon steel & Stainless Steel
150 lb., 300 lb., & 600 lb.



STYLE TP

Temporary Plate Strainer
Carbon steel & Stainless Steel
150 lb., 300 lb., & 600 lb.



Fabricated Temporary Cone, Basket & Plate Strainers

APPLICATIONS

Steam, water, oil or gas where protection from foreign matter in a pipeline is required. These strainers are installed between flanges for inexpensive protection of mechanical equipment.

CONSTRUCTION

The Keckley Style TC, TB & TP Strainers are available in carbon steel, stainless steel, and other alloys.

Screens are available perforated, mesh, or mesh lined to meet specific media requirements.

STANDARD SCREENS

The Keckley Style TC, TB & TP Strainers are normally supplied with 1/8" diameter holes on 3/16" centers.

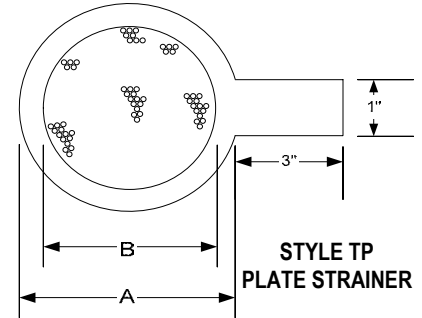
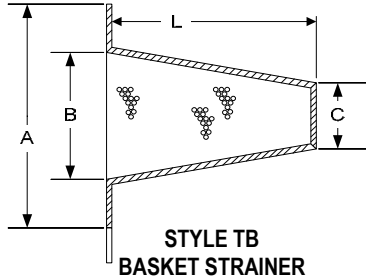
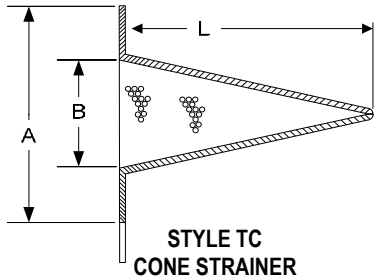
WHEN ORDERING SPECIFY

- Pipe Size
- Style
- Pressure Rating
- Perforation or Mesh Size
 - If mesh lined, specify direction of flow.
- Material of Construction

Certified dimensional drawings are available upon request. Dimensions shown are approximate. This table reflects only the nearest metric equivalent. Unless otherwise specified, standard 1/8" Perforations, 150-300 lb. flanges and 150% open area will be supplied.

Style TC, TB & TP

Fabricated Temporary Cone, Basket & Plate Strainer, 150 lb., 300 lb. & 600 lb. Carbon Steel & Stainless Steel



If Mesh Lined
Specify Flow Direction

Size		A				B		C	
		150 – 300 lb. (std)		600 lb.		All Flange Ratings		All Flange Ratings	
in	mm	in	mm	in	mm	in	mm	in	mm
1-1/2	40	3-1/4	83	3-5/8	92	1-1/4	32	3/4	19
2	50	4	102	4-1/4	108	1-3/4	44	1	25
2-1/2	65	4-3/4	121	5	127	2-1/4	57	1-1/4	32
3	80	5-1/4	133	5-3/4	146	2-3/4	70	1-1/2	38
4	100	6-3/4	171	7-1/2	191	3-3/4	95	2	51
6	150	8-5/8	219	10-3/8	264	5-3/8	137	3	76
8	200	10-7/8	276	12-1/2	318	7-3/8	187	4	102
10	250	13-1/4	337	15-5/8	397	9-3/8	238	5	127
12	300	16	406	17-7/8	454	11	279	6	152
14	350	17-3/8	441	19	483	12-1/4	311	7	178
16	400	20-1/8	511	21-7/8	556	14	356	8	203
18	450	21-1/4	540	23-3/4	603	15-3/4	400	9	229
20	500	23-1/2	597	26-5/8	676	17-1/2	445	10	254
24	600	27-7/8	708	30-7/8	784	21-1/4	540	12	305

Size		L 1/8" PERFORATED 3/16" CENTERS % OPEN AREA COMPARED TO CROSS SECTION SCHEDULE 40 PIPE											
		Cones						Baskets					
		100%		150% (std)		200%		100%		150% (std)		200%	
in	mm	in	mm	in	mm	in	mm	in	mm	in	mm	in	mm
1-1/2	40	3-3/16	81	4	102	5	127	2-3/4	70	2-7/8	73	3	76
2	50	3-1/2	89	6	152	8	203	3	76	3-1/2	89	4	102
2-1/2	65	4-1/16	103	6-1/4	159	8	203	3-3/16	81	3-7/8	98	4-1/2	114
3	80	4-1/4	108	6-3/4	171	9	229	3-1/2	89	3-7/8	98	5-1/2	140
4	100	5	127	10	254	12	305	4	102	5	127	7	178
6	150	7	178	13	330	18	457	6	152	7-3/4	197	11	279
8	200	8-3/16	208	17	432	23	584	6-1/8	156	9-3/4	248	14	356
10	250	12	305	22	559	28	711	7-1/2	191	12-3/8	314	18	457
12	300	13	330	26	660	34	864	9	229	14-3/4	375	20	508
14	350	15	381	27	686	36	914	10	254	15-7/8	403	21	533
16	400	17	432	30	762	40	1016	10	254	18-3/8	467	23	584
18	450	19	483	35	889	46	1168	12	305	20-7/8	530	27	686
20	500	21	533	39	991	51	1295	14	356	23-1/2	597	31	787
24	600	25	635	45	1143	61	1549	16	406	28-3/8	721	37	940

Consult factory for sizes not shown.

†This table reflects only the nearest metric equivalents.