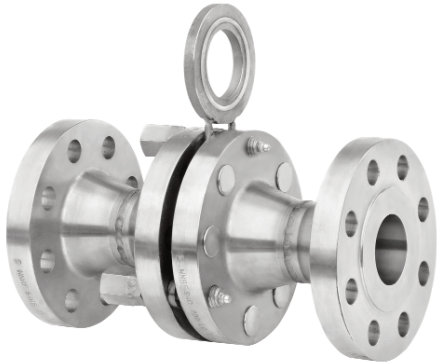


Style FLB

Fabricated Line Blinds
Carbon Steel & Stainless Steel
150 lb. to 2500 lb.
Flanged or Butt Weld



Quick Acting Line Blinds

APPLICATIONS

Keckley's Quick Acting Line Blinds are designed for applications where positive, visual indication of line closure/opening are required.

FEATURES

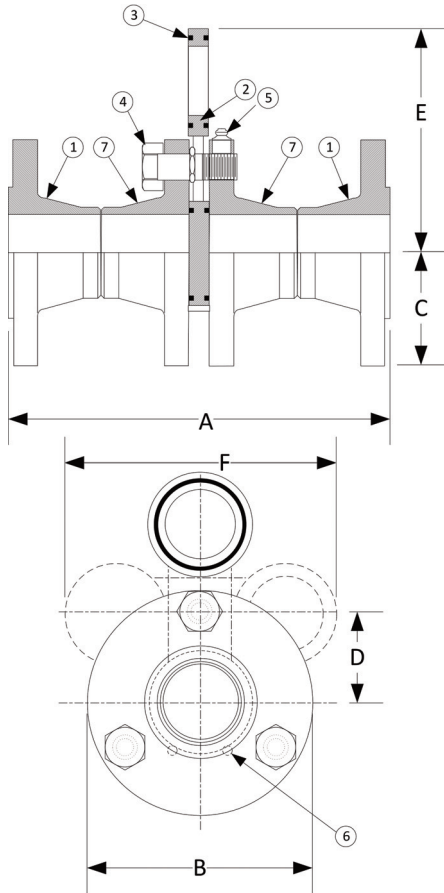
The position of the spectacle plate indicates whether the line is open or closed, reducing or eliminating the possibility of costly or dangerous situations. Keckley Quick Acting Line Blinds utilize O-ring seals to achieve the most effective shutoff. Our standard O-ring is located in the dovetail groove in both faces of the spectacle plate.

Two stainless steel guide pins are located in the face of the body flange to ensure accurate alignment of the spectacle plate with the bore.

With the Keckley Quick Acting Line Blind, one operator can change a 6" Line Blind in five minutes without the need for special tools as compared to a typical 6" spectacle blind, which takes two maintenance men approximately 1-12 hours to change over.

CONSTRUCTION

The standard model has a carbon steel body and zinc plated carbon steel trim. Stainless steel and other alloys are also available to meet your specific requirements. All units are available flanged or butt weld.



Style FLB

Fabricated Line Blinds
150 lb. to 2500 lb. Flanged & Butt Weld
Carbon Steel & Stainless Steel

PARTS LIST		
ITEM	DESCRIPTION	MATERIAL
1	RFWN Flange	Carbon Steel (ASTM A 105) B16.5
2	Spectacle Plate	Carbon Steel (ASTM A 36)
3*	O-ring	Buna-N
4	Pivot Bolt / Spreader Bolt	Carbon Steel (SAE J 429, Grade 8)
5	Grease Fitting (Qty. 3)	
6	Spring Pins	Stainless Steel (304)

*Buna-N o-ring good for temperatures up to 250°F. For higher temperatures, consult factory.

Pipe Size		DIMENSION - 150# CLASS											
		A		B		C		D		E		F	
in	mm	in	mm	in	mm	in	mm	in	mm	in	mm	in	mm
1	25	9	229	4-1/4	108	2-1/8	54	1-9/16	40	4-3/8	111	5-5/8	143
1-1/2	40	10	254	5	127	2-1/2	64	1-15/16	49	5-1/2	140	7-1/8	181
2	50	10-3/8	264	6	152	3	76	2-3/8	60	6-3/4	171	8-3/4	222
2-1/2	65	11-3/8	289	7	178	3-1/2	89	2-3/4	70	7-7/8	200	10-1/4	260
3	80	11-3/8	289	7-1/2	191	3-3/4	95	3	76	8-5/8	219	11-1/4	286
4	100	12-1/2	318	9	229	4-1/2	115	3-3/4	95	10-7/8	276	14-1/4	362
5	125	14-5/8	371	10	254	5	127	4-1/4	108	10-7/8	276	14-1/4	362
6	150	14-5/8	371	11	274	5-1/2	140	4-3/4	121	13-13/16	351	18-1/8	460
8	200	16-5/8	422	13-1/2	343	6-3/4	171	5-7/8	149	17-3/16	437	22-5/8	575
10	250	16-3/4	425	16	406	8	203	7-1/8	181	20-7/8	530	27-1/2	699
12	300	18-7/8	479	19	483	9-1/2	241	8-1/2	216	25	635	33	838
14	350	20-7/8	530	21	533	10-1/2	267	9-3/4	248	27-1/2	699	36-1/4	921
16	400	21	533	23-1/2	597	11-3/4	299	10-5/8	270	31-1/4	794	41-1/4	1048
18	450	23-1/8	587	25	635	12-1/2	318	11-3/8	289	33-7/16	849	44-1/8	1121
20	500	24	610	27-1/2	699	13-3/4	350	12-1/2	318	36-13/16	935	48-5/8	1235
24	600	25-3/8	645	32	813	16	407	14-3/4	375	43-1/2	1105	57-1/2	1461

Certified dimensional drawings are available upon request.

*This table reflects only the nearest metric equivalents.

Size		WEIGHTS															
		1"	1-1/2"	2"	2-1/2"	3"	4"	5"	6"	8"	10"	12"	14"	16"	18"	20"	24"
Butt Weld	lbs	7	9	14	23	26	38	52	62	104	143	238	302	407	469	582	851
	kgs	3.2	4.1	6.4	10	12	17	24	28	47	65	108	137	185	213	264	386
Flanged	lbs	13	17	26	43	49	71	94	114	188	251	414	530	687	799	976	1387
	kgs	5.9	7.7	12	20	22	32	43	52	85	114	188	240	312	362	443	629