

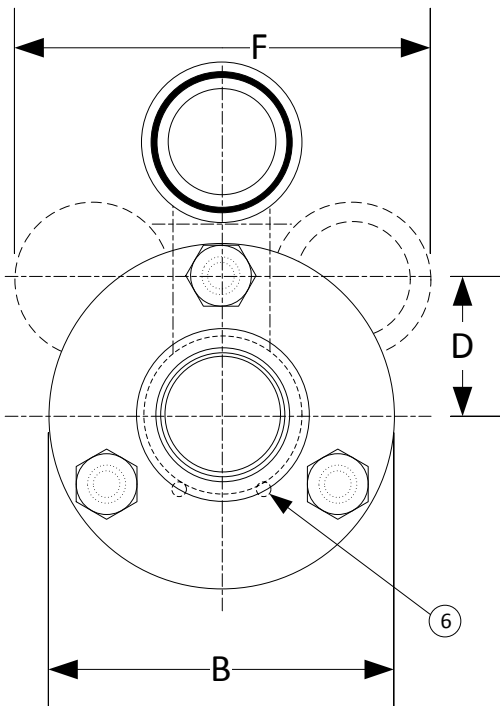
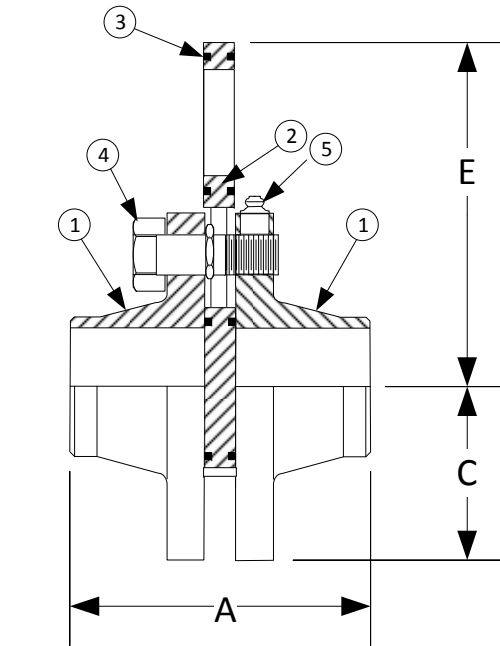
DRAWING NO.

BODY PRESSURE & TEMPERATURE RATINGS – NON SHOCK	
NOM. RATING	1" to 24"
150# BUTT WELD	275 PSI @ 100°F

PARTS LIST

Item	Description	Material
1	150LB RFWN FLANGE	STAINLESS STEEL (ASTM A 182, GRADE F-304) B16.5
2	SPECTACLE PLATE	STAINLESS STEEL (ASTM A 240, TYPE 304)
3*	O-RING	BUNA-N
4	PIVOT BOLT / SPREADER BOLT	STAINLESS STEEL 18-8 (304)
5	GREASE FITTING (Qty. of 3)	
6	SPRING PINS	STAINLESS STEEL (304)

*Buna-n o-ring good for temperatures up to 250°F. For higher temperatures, consult factory.



Product Number†	DIMENSIONS (in)							WEIGHT (lbs)
	SIZE	A	B	C	D	E	F	
12B4B4LB-F3434-B34B	1	4-1/2	4-1/4	2-1/8	1-9/16	4-3/8	5-5/8	7
11/22B4B4LB-F3434-B34B	1-1/2	5	5	2-1/2	1-15/16	5-1/2	7-1/8	9
22B4B4LB-F3434-B34B	2	5-1/4	6	3	2-3/8	6-3/4	8-3/4	14
21/22B4B4LB-F3434-B34B	2-1/2	5-3/4	7	3-1/2	2-3/4	7-7/8	10-1/4	23
32B4B4LB-F3434-B34B	3	5-3/4	7-1/2	3-3/4	3	8-5/8	11-1/4	26
42B4B4LB-F3434-B34B	4	6-3/8	9	4-1/2	3-3/4	10-7/8	14-1/4	38
52B4B4LB-F3434-B34B	5	7-1/2	10	5	4-1/4	10-7/8	14-1/4	52
62B4B4LB-F3434-B34B	6	7-1/2	11	5-1/2	4-3/4	13-13/16	18-1/8	62
82B4B4LB-F3434-B34B	8	8-1/2	13-1/2	6-3/4	5-7/8	17-3/16	22-5/8	104
102B4B4LB-F3434-B34B	10	8-5/8	16	8	7-1/8	20-7/8	27-1/2	143
122B4B4LB-F3434-B34B	12	9-3/4	19	9-1/2	8-1/2	25	33	238
142B4B4LB-F3434-B34B	14	10-3/4	21	10-1/2	9-3/4	27-1/2	36-1/4	302
162B4B4LB-F3434-B34B	16	10-7/8	23-1/2	11-3/4	10-5/8	31-1/4	41-1/4	407
182B4B4LB-F3434-B34B	18	12	25	12-1/2	11-3/8	33-7/16	44-1/8	469
202B4B4LB-F3434-B34B	20	12-1/2	27-1/2	13-3/4	12-1/2	36-13/16	48-5/8	582
242B4B4LB-F3434-B34B	24	13-1/4	32	16	14-3/4	43-1/2	57-1/2	851

†See "Style FLB Product Number Configuration" for additional options.

3400 CLEVELAND SKOKIE ILLINOIS

DRAWING NO.

DIMENSIONAL ASSEMBLY

PART NO.

150Lb. Butt Weld Style FLB,
Fabricated Line Blind

SCALE: NTS

DATE: 07/01/2011

MAT'L: Fabricated (304ss)

REQ. ---

DR. BY DSF