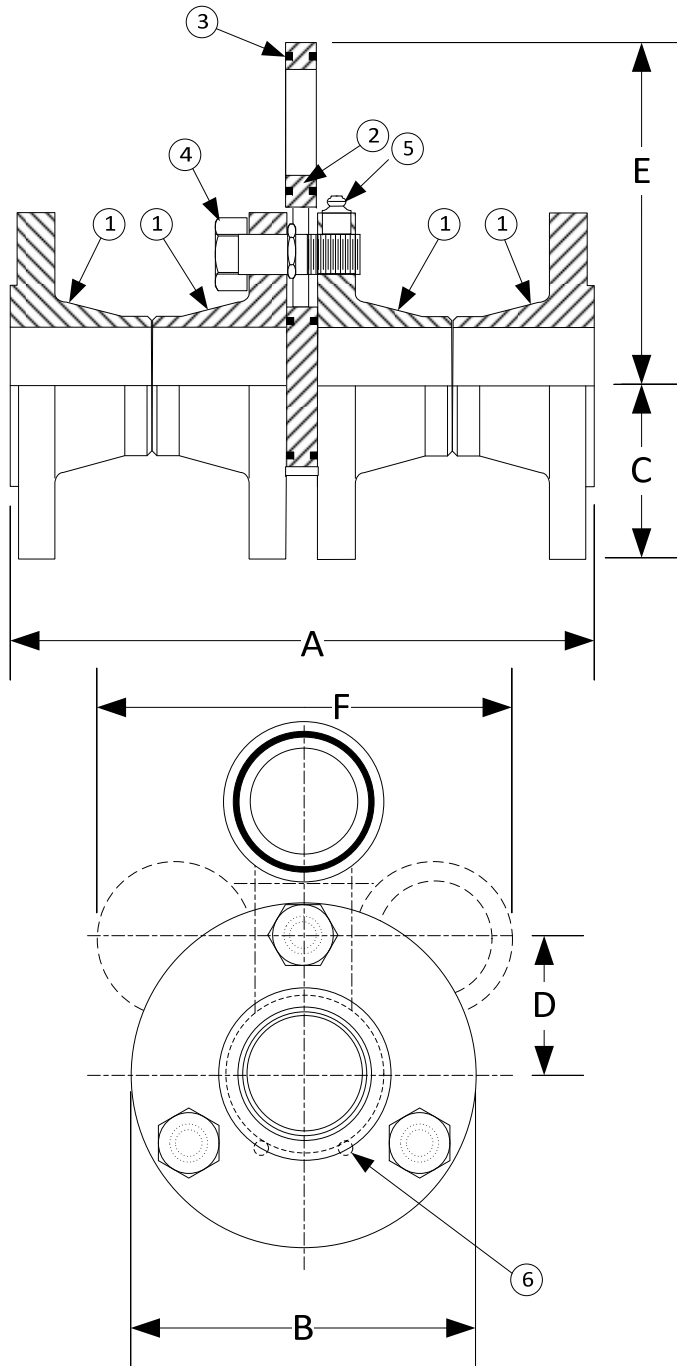


DRAWING NO.

**BODY PRESSURE & TEMPERATURE RATINGS – NON SHOCK**

NOM. RATING	1" to 24"
150# RFWN	275 PSI @ 100°F

PARTS LIST

Item	Description	Material
1	150LB RFWN FLANGE	STAINLESS STEEL (ASTM A 182, GRADE F-304) B16.5
2	SPECTACLE PLATE	STAINLESS STEEL (ASTM A 240, TYPE 304)
3*	O-RING	BUNA-N
4	PIVOT BOLT / SPREADER BOLT	STAINLESS STEEL 18-8 (304ss)
5	GREASE FITTING (Qty. of 3)	
6	SPRING PINS	STAINLESS STEEL (304)

*Buna-n o-ring good for temperatures up to 250°F. For higher temperatures, consult factory.

Product Number†	DIMENSIONS (in)						WEIGHT (lbs)	
	SIZE	A	B	C	D	F		
12RFRF-F3434-B34B	1	9	4-1/4	2-1/8	1-9/16	4-3/8	5-5/8	13
11/22RFRF-F3434-B34B	1-1/2	10	5	2-1/2	1-15/16	5-1/2	7-1/8	17
22RFRF-F3434-B34B	2	10-3/8	6	3	2-3/8	6-3/4	8-3/4	26
21/22RFRF-F3434-B34B	2-1/2	11-3/8	7	3-1/2	2-3/4	7-7/8	10-1/4	43
32RFRF-F3434-B34B	3	11-3/8	7-1/2	3-3/4	3	8-5/8	11-1/4	49
42RFRF-F3434-B34B	4	12-1/2	9	4-1/2	3-3/4	10-7/8	14-1/4	71
52RFRF-F3434-B34B	5	14-5/8	10	5	4-1/4	10-7/8	14-1/4	94
62RFRF-F3434-B34B	6	14-5/8	11	5-1/2	4-3/4	13-13/16	18-1/8	114
82RFRF-F3434-B34B	8	16-5/8	13-1/2	6-3/4	5-7/8	17-3/16	22-5/8	188
102RFRF-F3434-B34B	10	16-3/4	16	8	7-1/8	20-7/8	27-1/2	251
122RFRF-F3434-B34B	12	18-7/8	19	9-1/2	8-1/2	25	33	414
142RFRF-F3434-B34B	14	20-7/8	21	10-1/2	9-3/4	27-1/2	36-1/4	530
162RFRF-F3434-B34B	16	21	23-1/2	11-3/4	10-5/8	31-1/4	41-1/4	687
182RFRF-F3434-B34B	18	23-1/8	25	12-1/2	11-3/8	33-7/16	44-1/8	799
202RFRF-F3434-B34B	20	24	27-1/2	13-3/4	12-1/2	36-13/16	48-5/8	976
242RFRF-F3434-B34B	24	25-3/8	32	16	14-3/4	43-1/2	57-1/2	1387

†See "Style FLB Product Number Configuration" for additional options.

3400 CLEVELAND

SKOKIE ILLINOIS

DRAWING NO.

DIMENSIONAL ASSEMBLY

PART NO.

150Lb. Fig. Style FLB,

SCALE: NTS

Fabricated Line Blind

DATE: 07/01/2011

MAT'L: Fabricated (304ss)

REQ. ---

DR. BY DSF