

DRAWING NO.

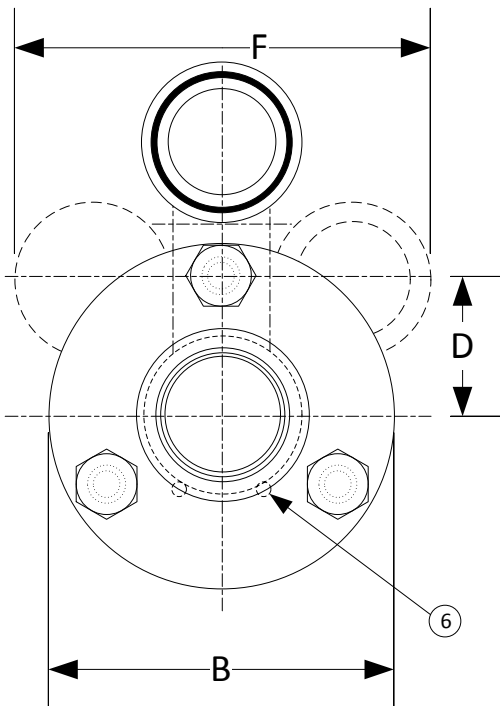
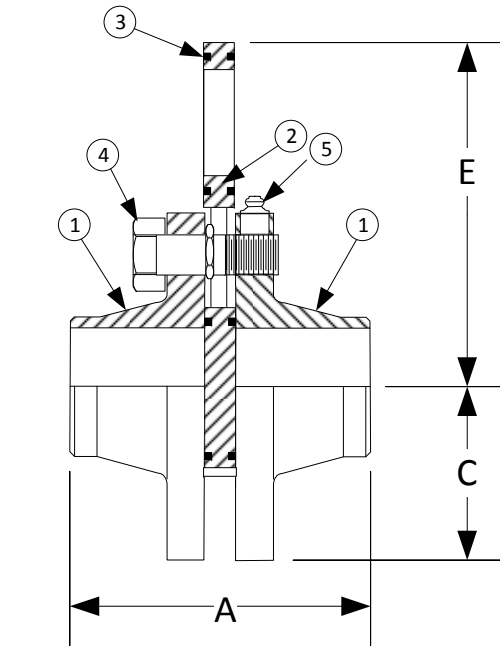
BODY PRESSURE & TEMPERATURE RATINGS – NON SHOCK

NOM. RATING	1" to 24"
300# BUTT WELD	720 PSI @ 100°F

PARTS LIST

Item	Description	Material
1	300LB RFWN FLANGE	STAINLESS STEEL (ASTM A 182, GRADE F-304) B16.5
2	SPECTACLE PLATE	STAINLESS STEEL (ASTM A 240, TYPE 304)
3*	O-RING	BUNA-N
4	PIVOT BOLT / SPREADER BOLT	STAINLESS STEEL 18-8 (304)
5	GREASE FITTING (Qty. of 3)	
6	SPRING PINS	STAINLESS STEEL (304)

*Buna-n o-ring good for temperatures up to 250°F. For higher temperatures, consult factory.



Product Number†	DIMENSIONS (in)							WEIGHT (lbs)
	SIZE	A	B	C	D	E	F	
14B4B4LB-F3434-B34B	1	5	4-7/8	2-7/16	1-3/4	4-7/8	6-1/4	9
11/24B4B4LB-F3434-B34B	1-1/2	5-5/8	6-1/8	3-1/16	2-1/4	6-5/16	8-1/8	16
24B4B4LB-F3434-B34B	2	5-3/4	6-1/2	3-1/4	2-1/2	7-1/8	9-1/4	20
21/24B4B4LB-F3434-B34B	2-1/2	6-1/4	7-1/2	3-3/4	2-15/16	8-3/8	10-7/8	28
34B4B4LB-F3434-B34B	3	6-1/2	8-1/4	4-1/8	3-5/16	9-1/2	12-3/8	40
44B4B4LB-F3434-B34B	4	7	10	5	3-15/16	11-3/8	14-7/8	63
54B4B4LB-F3434-B34B	5	8-1/4	11	5-1/2	4-5/8	11-3/8	14-7/8	94
64B4B4LB-F3434-B34B	6	8-1/4	12-1/2	6-1/4	5-5/16	15-1/2	20-3/8	112
84B4B4LB-F3434-B34B	8	9-1/4	15	7-1/2	6-1/2	19	25	176
104B4B4LB-F3434-B34B	10	9-7/8	17-1/2	8-3/4	7-5/8	23-5/16	29-3/8	267
124B4B4LB-F3434-B34B	12	11	20-1/2	10-1/4	8-7/8	26	34-1/4	397
144B4B4LB-F3434-B34B	14	12	23	11-1/2	10-1/8	29-11/16	39-1/8	562
164B4B4LB-F3434-B34B	16	12-3/8	25-1/2	12-3/4	11-1/4	33	43-1/2	718
184B4B4LB-F3434-B34B	18	13-1/2	28	14	12-3/8	36-3/8	48	925
204B4B4LB-F3434-B34B	20	13-7/8	30-1/2	15-1/4	13-1/2	39-3/4	52-1/2	1190
244B4B4LB-F3434-B34B	24	14-1/2	36	18	16	47-1/8	62-1/4	1810

†See "Style FLB Product Number Configuration" for additional options.

3400 CLEVELAND

SKOKIE ILLINOIS

DRAWING NO.

DIMENSIONAL ASSEMBLY

PART NO.

300Lb. Butt Weld Style FLB,

SCALE: NTS

Fabricated Line Blind

DATE: 07/01/2011

MAT'L: Fabricated (304ss)

REQ. ---

DR. BY DSF