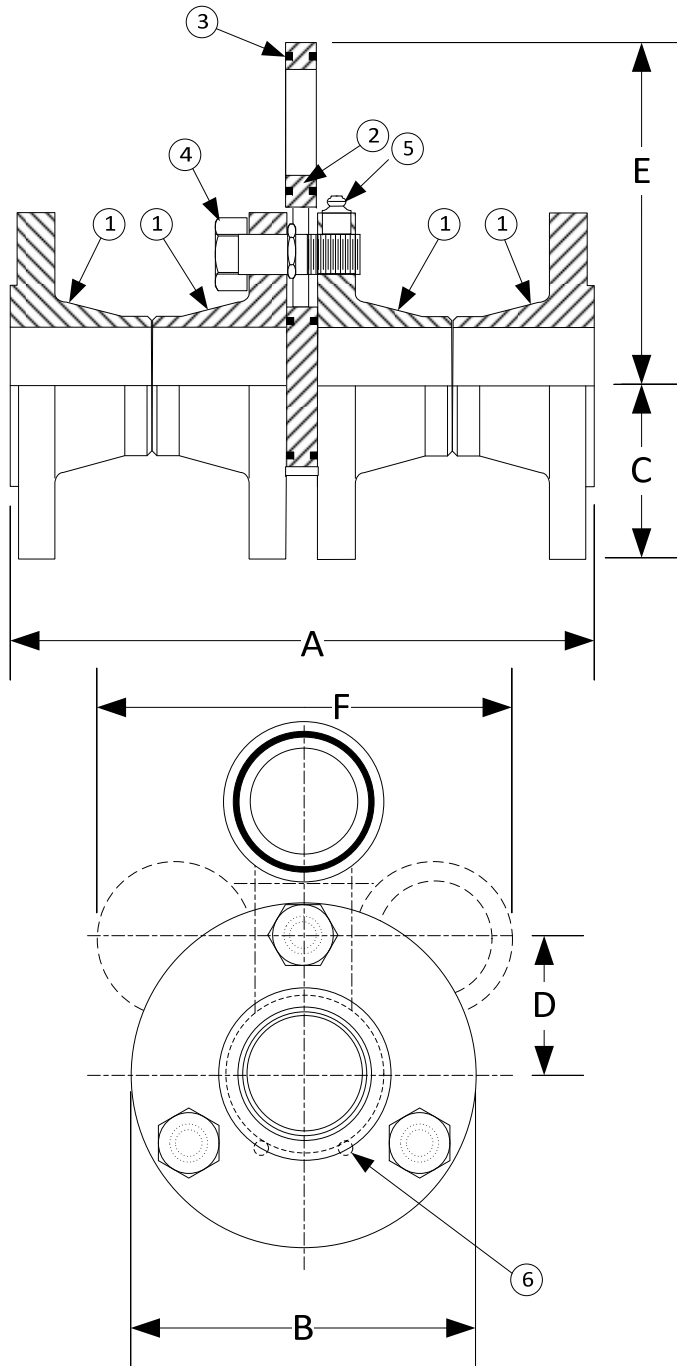


DRAWING NO.

**BODY PRESSURE & TEMPERATURE RATINGS – NON SHOCK**

<b>NOM. RATING</b>	<b>1" to 24"</b>
300# RFWN	740 PSI @ 100°F

**PARTS LIST**

Item	Description	Material
1	300LB RFWN FLANGE	CARBON STEEL (ASTM A 105) B16.5
2	SPECTACLE PLATE	CARBON STEEL (ASTM A 36)
3*	O-RING	BUNA-N
4	PIVOT BOLT / SPREADER BOLT	CARBON STEEL (SAE J 429, GRADE 8)
5	GREASE FITTING (Qty. of 3)	
6	SPRING PINS	STAINLESS STEEL (304)

\*Buna-n o-ring good for temperatures up to 250°F. For higher temperatures, consult factory.

Product Number†	DIMENSIONS (in)							WEIGHT (lbs)
	SIZE	A	B	C	D	E	F	
14RFRFLB-FCSCS-BCSB	1	10	4-7/8	2-7/16	1-3/4	4-7/8	6-1/4	17
11/24RFRFLB-FCSCS-BCSB	1-1/2	11	6-1/8	3-1/16	2-1/4	6-5/16	8-1/8	30
24RFRFLB-FCSCS-BCSB	2	11-3/8	6-1/2	3-1/4	2-1/2	7-1/8	9-1/4	38
21/24RFRFLB-FCSCS-BCSB	2-1/2	12-3/8	7-1/2	3-3/4	2-15/16	8-3/8	10-7/8	52
CSRFRFLB-FCSCS-BCSB	3	12-7/8	8-1/4	4-1/8	3-5/16	9-1/2	12-3/8	76
44RFRFLB-FCSCS-BCSB	4	14	10	5	3-15/16	11-3/8	14-7/8	116
54RFRFLB-FCSCS-BCSB	5	16	11	5-1/2	4-5/8	11-3/8	14-7/8	166
64RFRFLB-FCSCS-BCSB	6	16	12-1/2	6-1/4	5-5/16	15-1/2	20-3/8	202
84RFRFLB-FCSCS-BCSB	8	18	15	7-1/2	6-1/2	19	25	314
104RFRFLB-FCSCS-BCSB	10	19-1/4	17-1/2	8-3/4	7-5/8	23-5/16	29-3/8	467
124RFRFLB-FCSCS-BCSB	12	21-3/8	20-1/2	10-1/4	8-7/8	26	34-1/4	681
144RFRFLB-FCSCS-BCSB	14	23-3/8	23	11-1/2	10-1/8	29-11/16	39-1/8	974
164RFRFLB-FCSCS-BCSB	16	24	25-1/2	12-3/4	11-1/4	33	43-1/2	1218
184RFRFLB-FCSCS-BCSB	18	26-1/8	28	14	12-3/8	36-3/8	48	1565
204RFRFLB-FCSCS-BCSB	20	26-3/4	30-1/2	15-1/4	13-1/2	39-3/4	52-1/2	1990
244RFRFLB-FCSCS-BCSB	24	27-7/8	36	18	16	47-1/8	62-1/4	2970

†See "Style FLB Product Number Configuration" for additional options.

3400 CLEVELAND

SKOKIE ILLINOIS

DRAWING NO.

DIMENSIONAL ASSEMBLY

PART NO.

300Lb. Flg. Style FLB,

SCALE: NTS

Fabricated Line Blind

DATE: 07/01/2011

MAT'L: Fabricated Carbon Steel

REQ. ---

DR. BY DSF