

DRAWING NO.

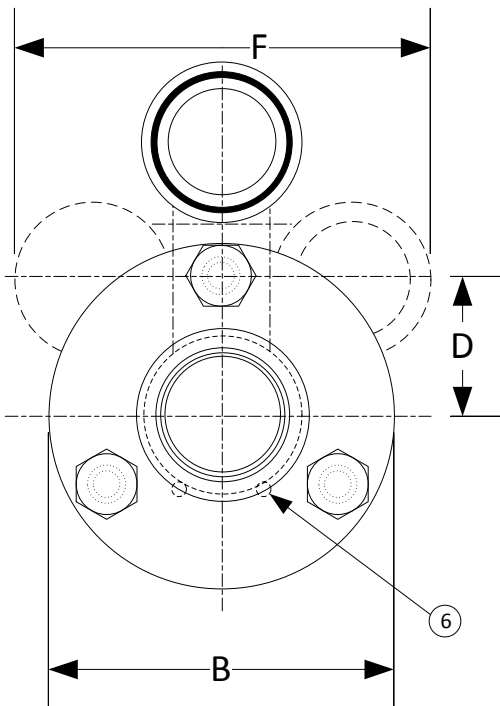
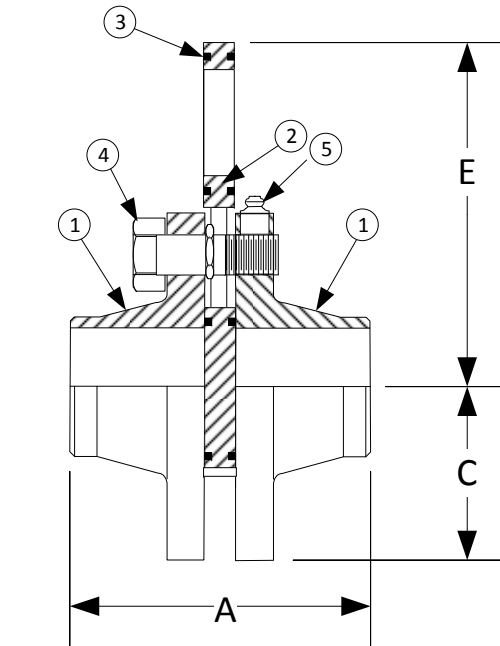
BODY PRESSURE & TEMPERATURE RATINGS – NON SHOCK

NOM. RATING	1" to 24"
600# BUTT WELD	1440 PSI @ 100°F

PARTS LIST

Item	Description	Material
1	600LB RFWN FLANGE	STAINLESS STEEL (ASTM A 182, GRADE F-316) B16.5
2	SPECTACLE PLATE	STAINLESS STEEL (ASTM A 240, TYPE 316)
3*	O-RING	BUNA-N
4	PIVOT BOLT / SPREADER BOLT	STAINLESS STEEL (316)
5	GREASE FITTING (Qty. of 3)	
6	SPRING PINS	STAINLESS STEEL (316)

*Buna-n o-ring good for temperatures up to 250°F. For higher temperatures, consult factory.



Product Number†	DIMENSIONS (in)							WEIGHT (lbs)
	SIZE	A	B	C	D	E	F	
1B4B4LB-F3636-B36B	1	5-1/4	4-7/8	2-5/16	1-3/4	4-7/8	6-1/4	9
11/2B4B4LB-F3636-B36B	1-1/2	5-7/8	6-1/8	3-1/16	2-1/4	6-5/16	8-1/8	18
2B4B4LB-F3636-B36B	2	6	6-1/2	3-1/4	2-1/2	7-1/8	9-1/4	27
21/2B4B4LB-F3636-B36B	2-1/2	6-5/8	7-1/2	3-3/4	2-15/16	8-3/8	10-7/8	40
3B4B4LB-F3636-B36B	3	6-7/8	8-1/4	4-1/8	3-5/16	9-1/2	12-3/8	53
4B4B4LB-F3636-B36B	4	8-1/2	10-3/4	5-3/8	4-1/4	12-1/4	16	98
5B4B4LB-F3636-B36B	5	9-5/8	13	6-1/2	5-1/4	12-1/4	16	172
6B4B4LB-F3636-B36B	6	9-7/8	14	7	5-3/4	16-11/16	21-7/8	198
8BxBXLB-F3636-B36B	8	11	16-1/2	8-1/4	6-7/8	20	26-1/4	305
10BxBXLB-F3636-B36B	10	12-3/4	20	10	5-1/2	24-13/16	32-5/8	512
12BxBXLB-F3636-B36B	12	13	22	11	9-5/8	28-1/8	37	645
14B6B6LB-F3636-B36B	14	13-7/8	23-3/4	11-7/8	10-3/8	29-15/16	39-1/2	912
16B6B6LB-F3636-B36B	16	15	27	13-1/2	11-7/8	34-3/4	45-3/4	1327
18B6B6LB-F3636-B36B	18	15-5/8	29-1/4	14-5/8	12-7/8	37-11/16	49-5/8	1560
20B6B6LB-F3636-B36B	20	16-1/4	32	16	14-1/4	41-13/16	55-1/8	2005
24B6B6LB-F3636-B36B	24	17-3/8	37	18-1/2	16-1/2	48-7/16	63-7/8	2924

†See "Style FLB Product Number Configuration" for additional options.

3400 CLEVELAND

SKOKIE ILLINOIS

DRAWING NO.

DIMENSIONAL ASSEMBLY

PART NO.

600Lb. Butt Weld Style FLB,

SCALE: NTS

Fabricated Line Blind

DATE: 07/01/2011

MAT'L: Fabricated (316ss)

REQ. ---

DR. BY DSF