

PARTS LIST		
ITEM	DESCRIPTION	MATERIAL
1	BODY	HASTELLOY C276 (ASTM A 494, GRADE CW12MW)
2	SEAT*	VITON O-RING
3	DISC	HASTELLOY C276 (ASTM A 494, GRADE CW12MW)
4	SPRING	INCONEL X-750
5	SPRING PLATE	STAINLESS STEEL (ASTM A 182, GRADE F-316)
6	THRUST WASHER	STAINLESS STEEL (ASTM A 182, GRADE F-316)
7	HINGE PIN	STAINLESS STEEL (ASTM A 182, GRADE F-316)
8	STOP PING	STAINLESS STEEL (ASTM A 182, GRADE F-316)
9	LOCATING PIECE	STAINLESS STEEL (ASTM A 182, GRADE F-316)
10	LIFTING LUG	CARBON STEEL
11	SCREW	STAINLESS STEEL (316)

DRAWING NO.
AL 100320

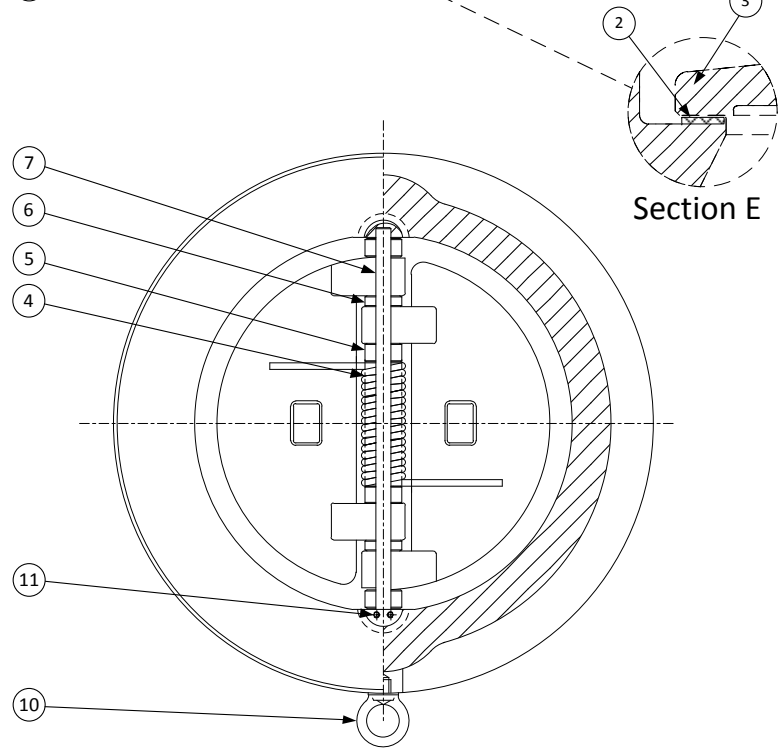
*Other Seat Materials Available in Buna-N, EPDM, PTFE, and Neoprene.

PRODUCT NUMBER	SIZE	DIMENSIONS				WEIGHT
		A	B	C*	D	
2DD4R-HC-HC4IX	2	4-3/8	2-3/8	1-15/16	-	7
21/2DD4R-HC-HC4IX	2-1/2	5-1/8	2-5/8	2-11/32	-	11
3DD4R-HC-HC4IX	3	5-7/8	2-7/8	2-29/32	1/4	15
4DD4R-HC-HC4IX	4	7-1/8	2-7/8	3-53/64	5/8	18
5DD4R-HC-HC4IX	5	8-1/2	3-3/8	4-13/16	7/8	35
6DD4R-HC-HC4IX	6	9-7/8	3-7/8	5-49/64	1-3/8	45
8DD4R-HC-HC4IX	8	12-1/8	5	7-5/8	2-1/8	82
10DD4R-HC-HC4IX	10	14-1/4	5-3/4	9-9/16	2-3/4	125
12DD4R-HC-HC4IX	12	16-5/8	7-1/8	11-3/8	3-1/4	200
14DD4R-HC-HC4IX	14	19-1/8	8-3/4	12-1/2	3-3/16	325
16DD4R-HC-HC4IX	16	21-1/4	9-1/8	14-5/16	4-1/8	415
18DD4R-HC-HC4IX	18	23-1/2	10-3/8	16-7/8	4-13/16	555
20DD4R-HC-HC4IX	20	25-3/4	11-1/2	17-15/16	5-5/8	725
24DD4R-HC-HC4IX	24	30-1/2	12-1/2	21-9/16	7-1/16	1100
30DD4R-HC-HC4IX	30	37-1/2	14-1/2	28-3/4	9-1/16	2050
36DD4R-HC-HC4IX	36	44	19	35	11-3/16	3573
42DD4R-HC-HC4IX	42	45-7/8	22-3/8	41	14-3/4	4723
48DD4R-HC-HC4IX	48	52-1/8	24-3/4	47	16-1/2	6090

*Minimum companion flange bore.

Sizes 30" and larger fit Series A flanges.

†See "Style DD Product Number Configuration" for additional options.



BODY PRESSURE & TEMPERATURE RATINGS - NON SHOCK		
NOM. RATING	MEDIA	2" to 48"
300# (WAFER)	W.O.G.	720 PSI @ 100°F

APPLICABLE STANDARDS	
• Design ASME B16.5, B16.34	• MSS SP - 6
• Conform to API 594 & 6D	• MSS SP - 25
• Testing API 598	• MSS SP - 55

		DRAWING NO. AL 100320
		PART NO. DD4R-HC-HC4IX
3400 CLEVELAND SKOKIE ILLINOIS		SCALE: NTS
DIMENSIONAL ASSEMBLY		DATE: 07/01/2011
300# Retainerless Wafer Body		DR. BY DSF
Double Disc Check Valve		
MAT'L: Cast Hastelloy C276	REQ. ---	