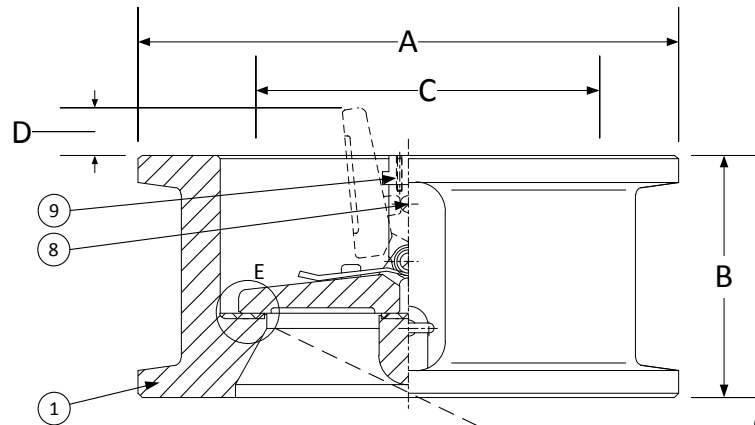
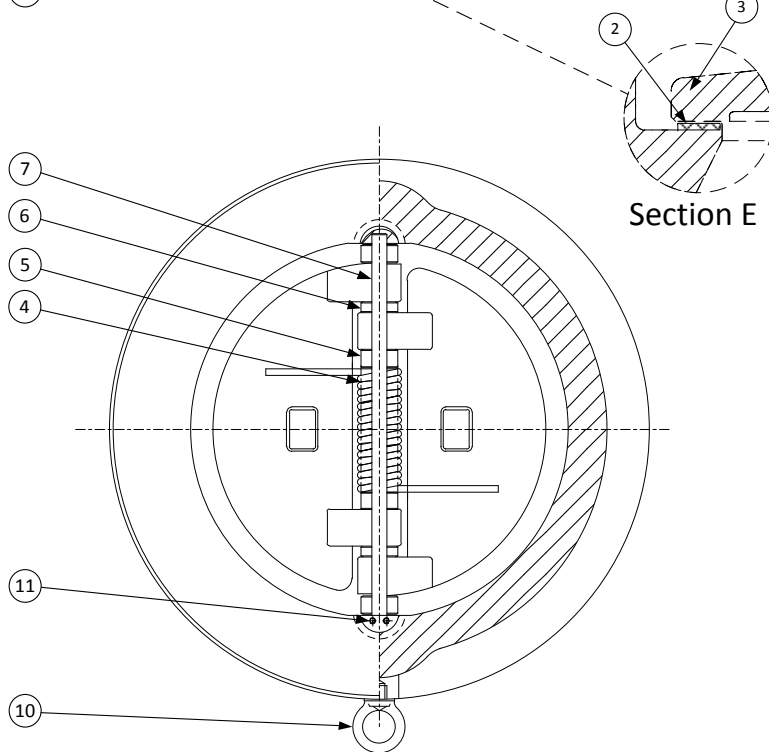


DRAWING NO.  
AL 100520



PARTS LIST		
ITEM	DESCRIPTION	MATERIAL
1	BODY	MONEL (ASTM A 494, GRADE M35-2)
2	SEAT*	VITON O-RING
3	DISC	MONEL (ASTM A 494, GRADE M35-2)
4	SPRING	INCONEL X-750
5	SPRING PLATE	STAINLESS STEEL (ASTM A 182, GRADE F-316)
6	THRUST WASHER	STAINLESS STEEL (ASTM A 182, GRADE F-316)
7	HINGE PIN	STAINLESS STEEL (ASTM A 182, GRADE F-316)
8	STOP PIN	STAINLESS STEEL (ASTM A 182, GRADE F-316)
9	LOCATING PIECE	STAINLESS STEEL (ASTM A 182, GRADE F-316)
10	LIFTING LUG	CARBON STEEL
11	SCREW	STAINLESS STEEL (316)

\*Other Seat Materials Available in Buna-N, EPDM, PTFE, and Neoprene.



PRODUCT NUMBER <sup>†</sup>	SIZE	DIMENSIONS				WEIGHT
		A	B	C*	D	
2DD5R-ML-ML4IX	2	4-3/8	2-3/8	1-15/16	-	7
21/2DD5R-ML-ML4IX	2-1/2	5-1/8	2-5/8	2-11/32	1/8	11
3DD5R-ML-ML4IX	3	5-7/8	2-7/8	2-29/32	1/4	15
4DD5R-ML-ML4IX	4	7-5/8	3-1/8	3-53/64	7/8	26
5DD5R-ML-ML4IX	5	9-1/2	4-1/8	4-13/16	1	50
6DD5R-ML-ML4IX	6	10-1/2	5-3/8	5-49/64	1-7/16	80
8DD5R-ML-ML4IX	8	12-5/8	6-1/2	7-5/8	2	135
10DD5R-ML-ML4IX	10	15-3/4	8-3/8	9-9/16	2-9/32	238
12DD5R-ML-ML4IX	12	18	9	11-3/8	3-15/32	333
14DD5R-ML-ML4IX	14	19-3/8	10-3/4	12-1/2	2-3/4	455
16DD5R-ML-ML4IX	16	22-1/4	12	14-5/16	4-5/16	640
18DD5R-ML-ML4IX	18	24-1/8	14-1/4	16-1/8	3-11/16	890
20DD5R-ML-ML4IX	20	26-7/8	14-1/2	17-15/16	5-5/16	1120
24DD5R-ML-ML4IX	24	31-1/8	17-1/4	21-9/16	6-9/16	2040
30DD5R-ML-ML4IX	30	38-1/4	19-7/8	28-3/4	9-9/16	3375
36DD5R-ML-ML4IX	36	44-1/2	25	33-3/4	11-15/16	6300
42DD5R-ML-ML4IX	42	48	27-5/8	39-1/2	14-1/4	8447

\*Minimum companion flange bore.


Sizes 30" and larger fit Series A flanges.

<sup>†</sup>See "Style DD Product Number Configuration" for additional options.

BODY PRESSURE & TEMPERATURE RATINGS - NON SHOCK		
NOM. RATING	MEDIA	2" to 42"
600# (WAFER)	W.O.G.	1440 PSI @ 100°F

**APPLICABLE STANDARDS**

- Design ASME B16.5, B16.34
- Conform to API 594 & 6D
- Testing API 598
- MSS SP - 6
- MSS SP - 25
- MSS SP - 55

 3400 CLEVELAND SKOKIE ILLINOIS	DRAWING NO. AL 100520
	PART NO. DD5R-ML-ML4IX
DIMENSIONAL ASSEMBLY	SCALE: NTS
600# Retainerless Wafer Body	DATE: 07/01/2011
Double Disc Check Valve	DR. BY DSF
MAT'L: Cast Monel	REQ. ---