

DRAWING NO.
AL 101440

PARTS LIST		
ITEM	DESCRIPTION	MATERIAL
1	BODY	STAINLESS STEEL (ASTM A 351, GRADE CF8M)
2	SEAT*	STAINLESS STEEL (ASTM A 351, GRADE CF8M)
3	DISC	STAINLESS STEEL (ASTM A 351, GRADE CF8M)
4	SPRING	INCONEL X-750
5	SPRING PLATE	STAINLESS STEEL (ASTM A 182, GRADE F-316)
6	THRUST WASHER	STAINLESS STEEL (ASTM A 182, GRADE F-316)
7	HINGE PIN	STAINLESS STEEL (ASTM A 182, GRADE F-316)
8	STOP PIN	STAINLESS STEEL (ASTM A 182, GRADE F-316)
9	LOCATING PIECE	STAINLESS STEEL (ASTM A 182, GRADE F-316)
10	LIFTING LUG	CARBON STEEL
11	SCREW	STAINLESS STEEL (316)

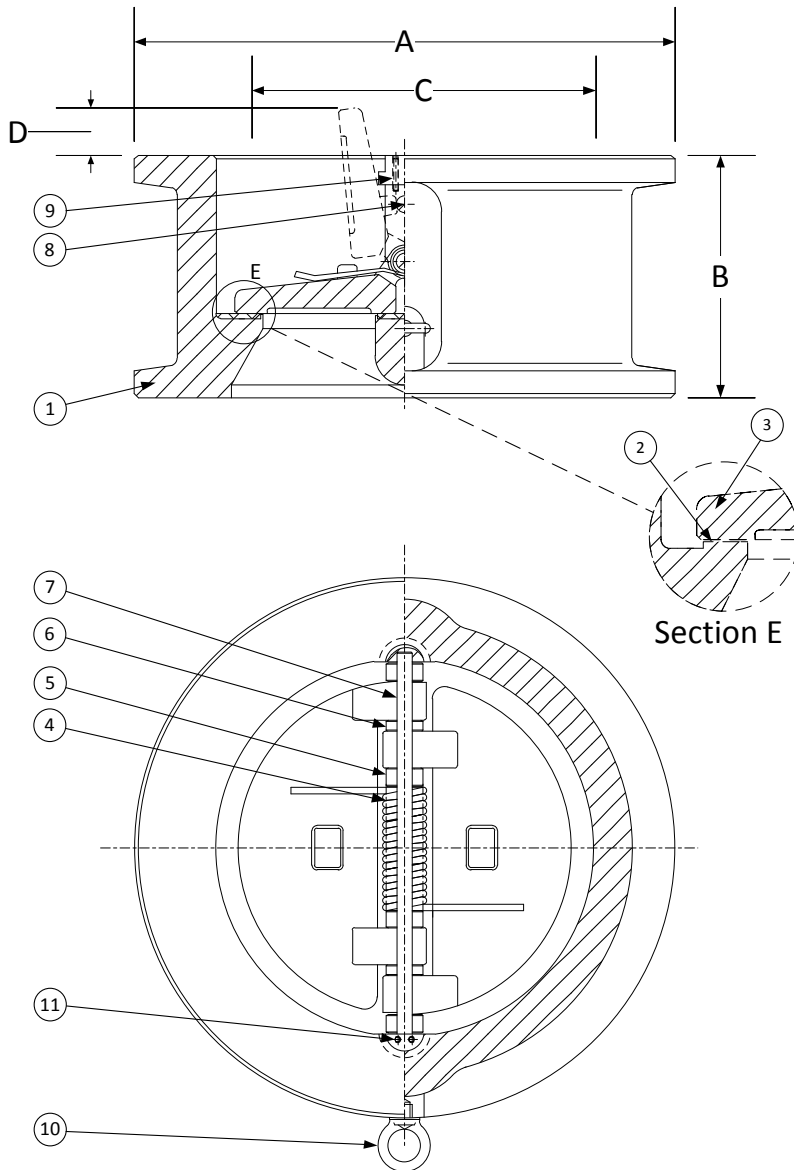
*Other Seat Materials Available in (Same as Disc), 316LSS Overlay,
And 410SS Overlay.

PRODUCT NUMBER†	SIZE	DIMENSIONS				WEIGHT
		A	B	C*	D	
2DD5R-36-362IX	2	4-3/8	2-3/8	1-15/16	-	7
21/2DD5R-36-362IX	2-1/2	5-1/8	2-5/8	2-11/32	1/8	11
3DD5R-36-362IX	3	5-7/8	2-7/8	2-29/32	1/4	15
4DD5R-36-362IX	4	7-5/8	3-1/8	3-53/64	7/8	26
5DD5R-36-362IX	5	9-1/2	4-1/8	4-13/16	1	50
6DD5R-36-362IX	6	10-1/2	5-3/8	5-49/64	1-7/16	80
8DD5R-36-362IX	8	12-5/8	6-1/2	7-5/8	2	135
10DD5R-36-362IX	10	15-3/4	8-3/8	9-9/16	2-9/32	238
12DD5R-36-362IX	12	18	9	11-3/8	3-15/32	333
14DD5R-36-362IX	14	19-3/8	10-3/4	12-1/2	2-3/4	455
16DD5R-36-362IX	16	22-1/4	12	14-5/16	4-5/16	640
18DD5R-36-362IX	18	24-1/8	14-1/4	16-1/8	3-11/16	890
20DD5R-36-362IX	20	26-7/8	14-1/2	17-15/16	5-5/16	1120
24DD5R-36-362IX	24	31-1/8	17-1/4	21-9/16	6-9/16	2040
30DD5R-36-362IX	30	38-1/4	19-7/8	28-3/4	9-9/16	3375
36DD5R-36-362IX	36	44-1/2	25	33-3/4	11-15/16	6300
42DD5R-36-362IX	42	48	27-5/8	39-1/2	14-1/4	8447

*Minimum companion flange bore.

Sizes 30" and larger fit **Series A** flanges.

†See "**Style DD Product Number Configuration**" for additional options.



BODY PRESSURE & TEMPERATURE RATINGS – NON SHOCK		
NOM. RATING	MEDIA	2" to 42"
600# (WAFER)	W.O.G.	1440 PSI @ 100°F

APPLICABLE STANDARDS

• Design ASME B16.5, B16.34	• MSS SP – 6
• Conform to API 594 & 6D	• MSS SP – 25
• Testing API 598	• MSS SP – 55

KECKLEY

3400 CLEVELAND SKOKIE ILLINOIS

DRAWING NO.
AL 101440

DIMENSIONAL ASSEMBLY

PART NO.
DD5R-36-362IX

600# Retainerless Wafer Body

SCALE: NTS

Double Disc Check Valve

DATE: 07/01/2011

MAT'L: Cast Stainless Steel (316)

REQ. ---

DR. BY DSF