

BODY PRESSURE & TEMPERATURE RATINGS – NON SHOCK		
NOM. RATING	MEDIA	2" to 24"
900# (WAFER)	W.O.G.	2160 PSI @ 100°F

DRAWING NO.
AL 100720

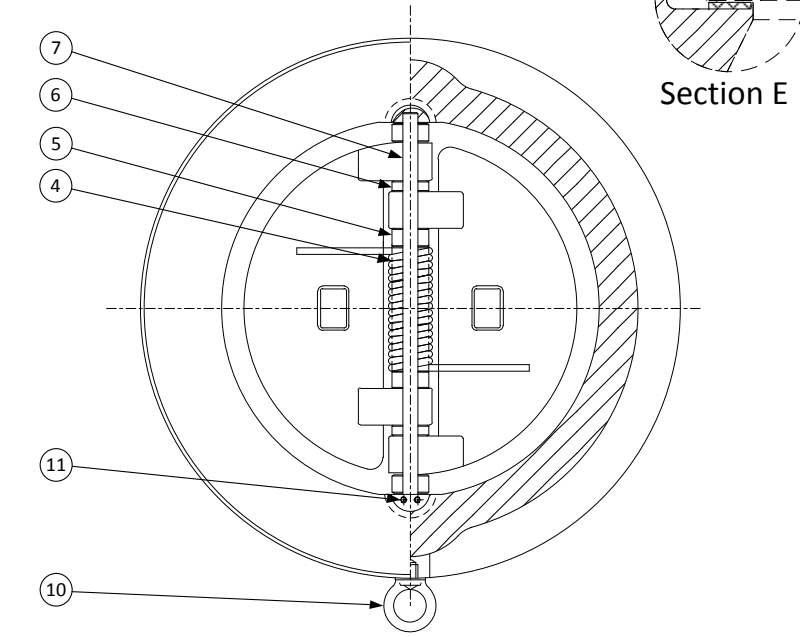
PARTS LIST		
ITEM	DESCRIPTION	MATERIAL
1	BODY	DUPLEX (ASTM A 351, GRADE CD4MCu)
2	SEAT*	VITON O-RING
3	DISC	DUPLEX (ASTM A 351, GRADE CD4MCu)
4	SPRING	INCONEL X-750
5	SPRING PLATE	STAINLESS STEEL (ASTM A 182, GRADE F-316)
6	THRUST WASHER	STAINLESS STEEL (ASTM A 182, GRADE F-316)
7	HINGE PIN	STAINLESS STEEL (ASTM A 182, GRADE F-316)
8	STOP PIN	STAINLESS STEEL (ASTM A 182, GRADE F-316)
9	LOCATING PIECE	STAINLESS STEEL (ASTM A 182, GRADE F-316)
10	LIFTING LUG	CARBON STEEL
11	SCREW	STAINLESS STEEL (316)

*Other Seat Materials Available in Buna-N, EPDM, PTFE, and Neoprene.


PRODUCT NUMBER ¹	SIZE	DIMENSIONS				WEIGHT
		A	B	C*	D	
2DD6R-DP-DP4IX	2	5-5/8	2-3/4	1-11/16	-	14
21/2DD6R-DP-DP4IX	2-1/2	6-1/2	3-1/4	2-1/8	1/16	16
3DD6R-DP-DP4IX	3	6-5/8	3-1/4	2-5/8	5/16	24
4DD6R-DP-DP4IX	4	8-1/8	4	3-7/16	9/16	40
5DD6R-DP-DP4IX	5	9-3/4	-	4-5/16	-	-
6DD6R-DP-DP4IX	6	11-3/8	6-1/4	5-3/16	1-1/16	115
8DD6R-DP-DP4IX	8	14-1/8	8-1/8	6-13/16	1-13/32	229
10DD6R-DP-DP4IX	10	17-1/8	9-1/2	8-1/2	1-13/16	388
12DD6R-DP-DP4IX	12	19-5/8	11-1/2	10-1/8	2-5/16	540
14DD6R-DP-DP4IX	14	20-1/2	14	11-1/2	2	926
16DD6R-DP-DP4IX	16	22-5/8	15-1/8	12-13/16	2-5/8	1152
18DD6R-DP-DP4IX	18	25-1/8	17-3/4	14-7/16	2-9/16	1318
20DD6R-DP-DP4IX	20	27-1/2	17-3/4	17-15/16	5-5/16	1426
24DD6R-DP-DP4IX	24	33	19-1/2	21-1/2	5-5/8	2729

*Minimum companion flange bore.

¹See "Style DD Product Number Configuration" for additional options.



APPLICABLE STANDARDS	
• Design ASME B16.5, B16.34	• MSS SP – 6
• Conform to API 594 & 6D	• MSS SP – 25
• Testing API 598	• MSS SP – 55

 3400 CLEVELAND SKOKIE ILLINOIS	DRAWING NO. AL 100720
	PART NO. DD6R-DP-DP4IX
DIMENSIONAL ASSEMBLY	SCALE: NTS
900# Retainerless Wafer Body	DATE: 07/01/2011
Double Disc Check Valve	DR. BY DSF
MAT'L: Cast Duplex	REQ. ---