

Style DD

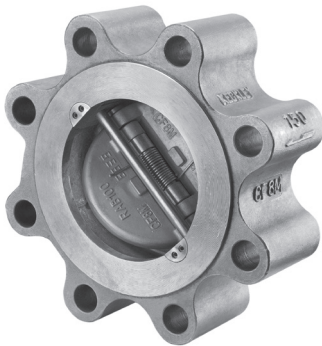
Cast Iron (ASTM A 126, Class B)
125 lb. Class

Carbon Steel (ASTM A 216, Grade WCB)
150 lb. Thru 1500 lb. Class

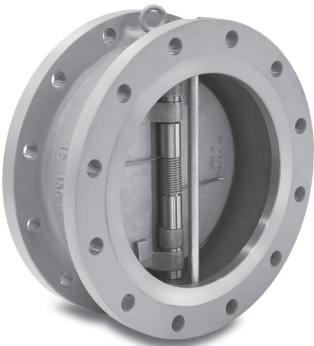
Stainless Steel (ASTM A 351, Grade CF8M)
150 lb. Thru 1500 lb. Class



Style DL



Style DF



Wafer Double Disc Check Valve

APPLICATIONS

Flow reversal solutions for Liquid and Gas applications where protection from flow reversal in a pipeline is required

CONSTRUCTION

Keckley Style DD wafer body double disc check valves are produced by the investment casting process. These castings are thoroughly inspected and machined to exacting specifications. Reference individual technical data pages for standard materials utilized in the construction of valve components.

FEATURES

- A short face-to-face dimension.
- The spring loaded double disc design creates a low cracking pressure and allows for the valve discs to close prior to any flow reversal minimizing water hammer and/or surges in the media.
- Tension on the specially designed spring with extended spring legs allows the disc center section to lift off the seat prior to the outside edge opening preventing seat wear in the center “heel” section of the seating surface.
- Standard elastomeric seats can produce zero leakage when correctly specified, loaded, and installed. Metal seating surfaces are precision machined and lapped to a mirror finish to provide a long lasting seal which meets or exceeds the API 598 leakage standard.
- Retainerless design check valves have no body penetrations eliminating potential leak paths.
- Allows for interchangeability of the hinge pin and stop pin.
- Epoxy coating is standard.
- Field serviceable without the need for special tools.

INSTALLATION

The Style DD can be installed in both vertical and horizontal applications. Contact Keckley for all downward vertical flow installations.

ORDERING

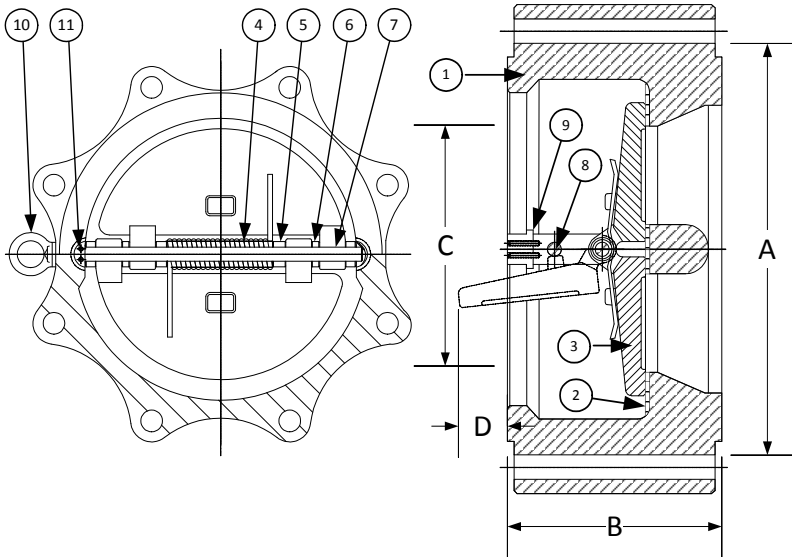
Reference page C2 for Keckley Check Valve Product Numbers.

WORKING PRESSURES - NON SHOCK

NOM. RATING	BODY MATERIAL	MEDIA	2" to 12"	14" to 24"
125#	CAST IRON (ASTM A 126, CLASS B)	W.O.G.	200 PSI @ 150°F	150 PSI @ 150°F
NOM. RATING	BODY MATERIAL	MEDIA	2" to 24"	
150#	CARBON STEEL (ASTM A 216, GRADE WCB)	W.O.G.	285 PSI @ 100°F	
	STAINLESS STEEL (ASTM A 351, GRADE CF8M)	W.O.G.	275 PSI @ 100°F	
NOM. RATING	BODY MATERIAL	MEDIA	2" to 24"	
300#	CARBON STEEL (ASTM A 216, GRADE WCB)	W.O.G.	740 PSI @ 100°F	
	STAINLESS STEEL (ASTM A 351, GRADE CF8M)	W.O.G.	720 PSI @ 100°F	

Style DL

**Retainerless Wafer Lug Body
 Double Disc Check Valve, 900 lb.
 Low Carbon Steel (ASTM A 352, Grade LCB)**


PARTS LIST

ITEM	DESCRIPTION	MATERIAL
1	Body	Low Carbon Steel (ASTM A 352, Grade LCB)
2	Seat	Viton O-Ring
3	Disc	Low Carbon Steel (ASTM A 352, Grade LCB)
4	Spring	Inconel X-750
5	Spring Plate	Stainless Steel (ASTM A 182, Grade F-316)
6	Thrust Washer	Stainless Steel (ASTM A 182, Grade F-316)
7	Hinge Pin	Stainless Steel (ASTM A 182, Grade F-316)
8	Stop Pin	Stainless Steel (ASTM A 182, Grade F-316)
9	Locating Piece	Stainless Steel (ASTM A 182, Grade F-316)
10	Lifting Lug	Carbon Steel
11	Screw	Stainless Steel (316)

Above "Standard" Product Number – **DL6R-LC-LC4IX**
 Other Options - Reference **C2** for available materials.

SIZE		DIMENSIONS						WEIGHTS	
		A		B		C*			
in	mm	in	mm	in	mm	in	mm	lbs	kgs
2	50	5-5/8	143	2-3/4	70	-	-	26	12
2-1/2	65	6-1/2	165	3-1/4	83	2	51	40	18
3	80	6-5/8	168	3-1/4	83	2-1/8	54	44	20
4	100	8-1/8	206	4	102	3-1/16	78	68	31
6	150	11-3/8	289	6-1/4	159	3-5/8	92	240	109
8	200	14-1/8	359	8-1/8	206	6-1/2	165	443	201
10	250	17-1/8	435	9-1/2	241	8-3/16	208	661	300
12	300	19-5/8	498	11-1/2	292	9-3/4	248	981	445
14	350	20-1/2	521	14	356	8-15/16	227	1241	563
16	400	22-5/8	575	15-1/8	384	11-7/32	285	2074	941
18	450	25-1/8	638	17-3/4	451	13-15/16	354	1418	643
20	500	27-1/2	699	17-3/4	451	17-1/16	433	1892	858
24	600	33	838	19-1/2	495	20-15/32	520	2786	1264

*Minimum companion flange bore.

Available with thru-hole bolting or threaded bolt holes.

Seat Material	Operating Temperature**	
	°F	°C
Buna-N	-20 to 250	-29 to 121
Viton	-20 to 400	-29 to 204
EPDM	-40 to 300	-40 to 149

**Subject to limitations of body material.

Applicable Standards
• Design ASME B16.5
• Design ASME B16.34
• Testing API 598
• Conforms to API 594 & 6D
• MSS SP - 6
• MSS SP - 25
• MSS SP - 55

FLOW COEFFICIENTS

Size	2"	2-1/2"	3"	4"	5"	6"
C _v	48	98	170	290	495	720
Size	8"	10"	12"	14"	16"	18"
C _v	1800	2600	4300	5500	7200	9400
Size	20"	24"				
C _v	12600	19000				

PRESSURE DROP CHART

Wafer Double Disc Check Valve (Style DD, DL, and DF)

This pressure drop chart is based on the flow of clean water through the Keckley Double Disc Check Valve. The Keckley Style DD has a cracking pressure equal to or less than 0.3 psi when mounted horizontally. Check valves should be placed at a distance equal to 5 to 10 pipe diameters from any turbulence producing device such as elbows, pumps, etc.

TO USE CHARTS:

Find your desired rate of flow (GPM) on the left hand side of the chart. Follow its corresponding horizontal line to the point where it intersects the diagonal line indicating the check valve pipe size. From this point of intersection, follow the vertical line down to the bottom of the chart to determine the approximate pressure drop.

