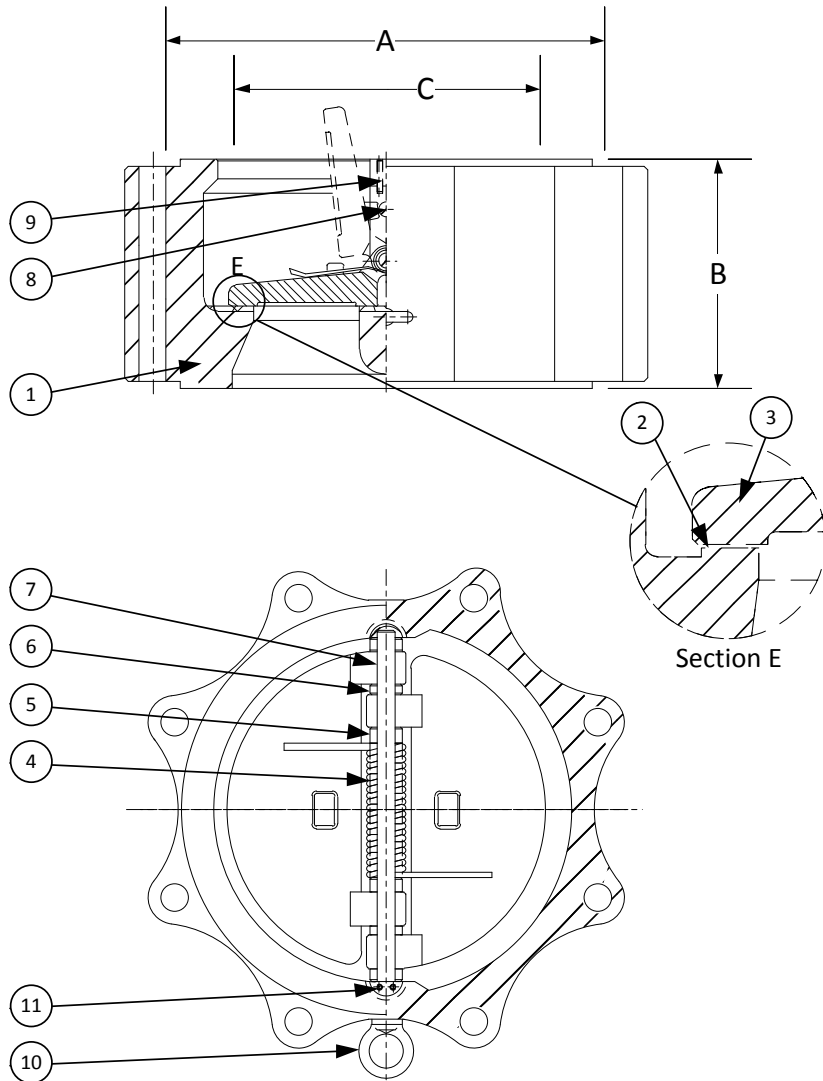


DRAWING NO.
AL 103780



BODY PRESSURE & TEMPERATURE RATINGS – NON SHOCK

NOM. RATING	MEDIA	2" to 16"
1,500# (WAFER LUG)	W.O.G.	3600 PSI @ 100°F

PARTS LIST

ITEM	DESCRIPTION	MATERIAL
1	BODY	STAINLESS STEEL (ASTM A 351, GRADE CF8M)
2	SEAT*	STAINLESS STEEL (ASTM A 351, GRADE CF8M)
3	DISC	STAINLESS STEEL (ASTM A 351, GRADE CF8M)
4	SPRING	INCONEL X-750
5	SPRING PLATE	STAINLESS STEEL (ASTM A 182, GRADE F-316)
6	THRUST WASHER	STAINLESS STEEL (ASTM A 182, GRADE F-316)
7	HINGE PIN	STAINLESS STEEL (ASTM A 182, GRADE F-316)
8	STOP PIN	STAINLESS STEEL (ASTM A 182, GRADE F-316)
9	LOCATING PIECE	STAINLESS STEEL (ASTM A 182, GRADE F-316)
10	LIFTING LUG	CARBON STEEL
11	SCREW	STAINLESS STEEL (316)

*Other Seat Materials Available in Metal (Same as Disc), 316LSS Overlay, and 410SS Overlay.

PRODUCT NUMBER†	SIZE	DIMENSIONS			WEIGHT
		A	B	C*	
2DL7R-36-362IX	2	5-5/8	2-3/4	1-11/16	37
3DL7R-36-362IX	3	6-7/8	3-1/4	2-5/8	70
4DL7R-36-362IX	4	8-1/4	4	3-7/16	112
6DL7R-36-362IX	6	11-1/8	6-1/4	5-3/16	262
8DL7R-36-362IX	8	13-7/8	8-1/8	6-13/16	488
10DL7R-36-362IX	10	17-1/8	9-3/4	8-1/2	917
12DL7R-36-362IX	12	20-1/2	12	10-1/8	1425
14DL7R-36-362IX	14	22-3/4	14	11-1/2	2045
16DL7R-36-362IX	16	25-1/4	15-1/8	12-13/16	2600
18DL7R-36-362IX	18	27-3/4	18-7/16	13-3/4	3883
20DL7R-36-362IX	20	29-3/4	21	14-3/4	5700
24DL7R-36-362IX	24	35-1/2	22	15-1/8	7150

†Minimum companion flange bore.

Available with thru-hole bolting or threaded bolt holes.

†See "Style DL Product Number Configuration" for additional options.

APPLICABLE STANDARDS

• Design ASME B16.5, B16.34	• MSS SP – 6
• Conform to API 594 & 6D	• MSS SP – 25
• Testing API 598	• MSS SP – 55

KECKLEY

3400 CLEVELAND SKOKIE ILLINOIS

DRAWING NO.
AL 103780

DIMENSIONAL ASSEMBLY

PART NO.
DL7R-36-362IX

1500# Retainerless Wafer Lug Body

SCALE: NTS

Double Disc Check Valve

DATE: 07/01/2011

MAT'L: Cast Stainless Steel (316)

REQ. ---

DR. BY DSF