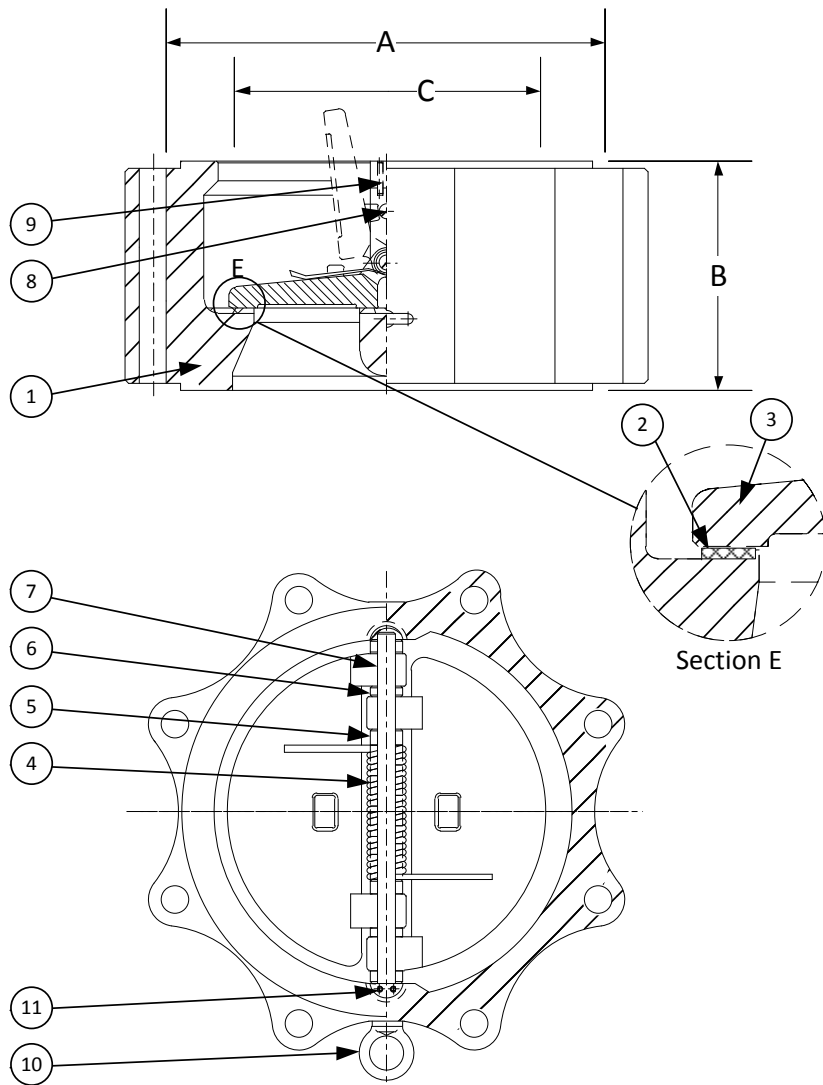


DRAWING NO.
AL 102200



PARTS LIST

ITEM	DESCRIPTION	MATERIAL
1	BODY	NICKEL ALUMINUM BRONZE (ASTM B 148, C95800)
2	SEAT*	VITON O-RING
3	DISC	NICKEL ALUMINUM BRONZE (ASTM B 148, C95800)
4	SPRING	INCONEL X-750
5	SPRING PLATE	STAINLESS STEEL (ASTM A 182, GRADE F-316)
6	THRUST WASHER	STAINLESS STEEL (ASTM A 182, GRADE F-316)
7	HINGE PIN	STAINLESS STEEL (ASTM A 182, GRADE F-316)
8	STOP PIN	STAINLESS STEEL (ASTM A 182, GRADE F-316)
9	LOCATING PIECE	STAINLESS STEEL (ASTM A 182, GRADE F-316)
10	LIFTING LUG	CARBON STEEL
11	SCREW	STAINLESS STEEL (316)

*Other Seat Materials Available in Buna, EPDM, PTFE, and Neoprene.

PRODUCT NUMBER†	SIZE	DIMENSIONS			WEIGHT
		A	B	C*	
2DL4F-NA-NA4IX	2	4-3/8	2-3/8	1-15/16	18
21/2DL4F-NA-NA4IX	2-1/2	5-1/8	2-5/8	2-11/32	22
3DL4F-NA-NA4IX	3	5-7/8	2-7/8	2-29/32	30
4DL4F-NA-NA4IX	4	7-1/8	2-7/8	3-53/64	44
5DL4F-NA-NA4IX	5	8-1/2	3-3/8	4-13/16	51
6DL4F-NA-NA4IX	6	9-7/8	3-7/8	5-49/64	84
8DL4F-NA-NA4IX	8	12-1/8	5	7-5/8	163
10DL4F-NA-NA4IX	10	14-1/4	5-3/4	9-9/16	270
12DL4F-NA-NA4IX	12	16-5/8	7-1/8	11-1/4	361
14DL4F-NA-NA4IX	14	19-1/8	8-3/4	12-7/16	543
16DL4F-NA-NA4IX	16	21-1/4	9-1/8	14-1/2	792
18DL4F-NA-NA4IX	18	23-1/2	10-3/8	16-3/8	790
20DL4F-NA-NA4IX	20	25-3/4	11-1/2	18-1/16	780
24DL4F-NA-NA4IX	24	30-1/2	12-1/2	20-11/16	1011
30DL4F-NA-NA4IX	30	37-1/2	14-1/2	27-5/8	1974
36DL4F-NA-NA4IX	36	44	19	33-1/2	3926
42DL4F-NA-NA4IX	42	45-7/8	22-3/8	39-1/2	4830
48DL4F-NA-NA4IX	48	52-1/2	24-3/4	42-1/4	6653

*Minimum companion flange bore.

Available with thru-hole bolting or threaded bolt holes.

†See "Style DL Product Number Configuration" for additional options.

BODY PRESSURE & TEMPERATURE RATINGS – NON SHOCK		
NOM. RATING	MEDIA	2" to 48"
300# (WAFER LUG)	W.O.G.	500 PSI @ 150°F

APPLICABLE STANDARDS

• Design ASME B16.5, B16.34	• MSS SP – 6
• Conform to API 594 & 6D	• MSS SP – 25
• Testing API 598	• MSS SP – 55

KECKLEY

3400 CLEVELAND SKOKIE ILLINOIS

DRAWING NO.
AL 102200

DIMENSIONAL ASSEMBLY

PART NO.
DL4F-NA-NA4IX

300# Retainerless Wafer Lug Body

SCALE: NTS

Double Disc Check Valve

DATE: 11/21/2018

MAT'L: Cast Nickel Aluminum Bronze REQ. ---

DR. BY DSF