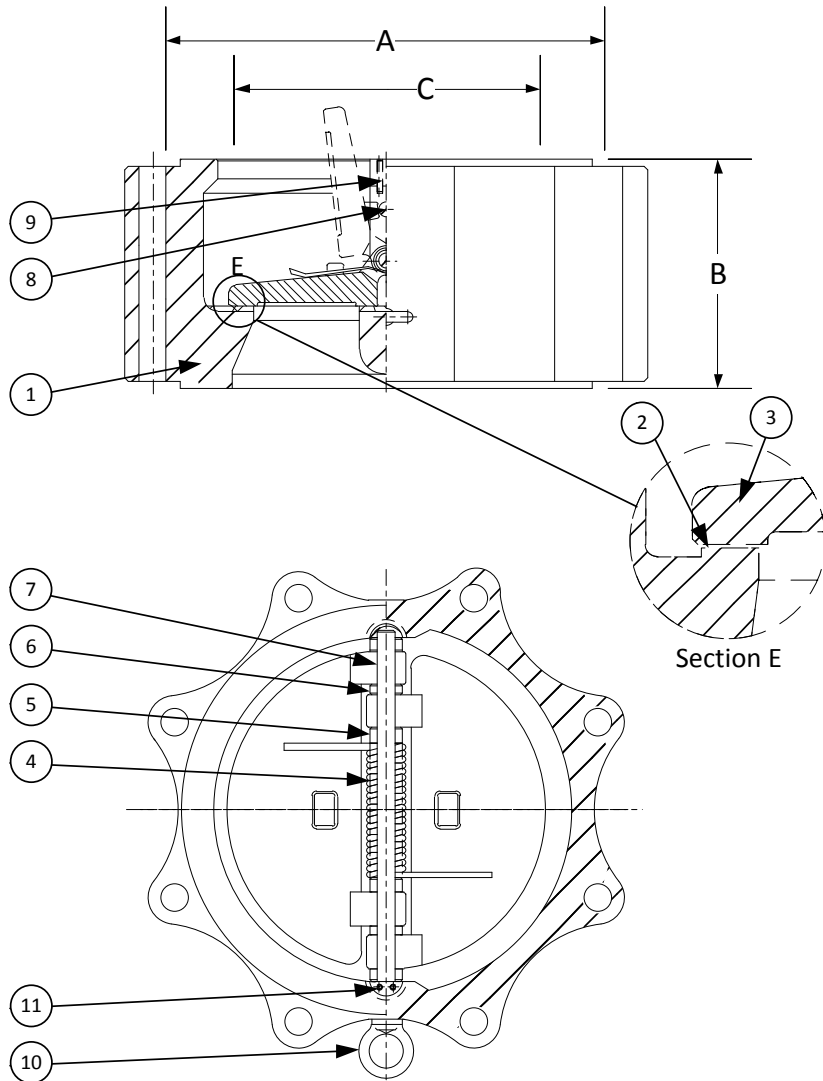


DRAWING NO.
AL 103400



PARTS LIST

| ITEM | DESCRIPTION | MATERIAL |
|------|----------------|---|
| 1 | BODY | CARBON STEEL (ASTM A 216, GRADE WCB) |
| 2 | SEAT* | CARBON STEEL (ASTM A 216, GRADE WCB) |
| 3 | DISC | STAINLESS STEEL (ASTM A 351, GRADE CF8M) |
| 4 | SPRING | INCONEL X-750 |
| 5 | SPRING PLATE | STAINLESS STEEL (ASTM A 182, GRADE F-316) |
| 6 | THRUST WASHER | STAINLESS STEEL (ASTM A 182, GRADE F-316) |
| 7 | HINGE PIN | STAINLESS STEEL (ASTM A 182, GRADE F-316) |
| 8 | STOP PIN | STAINLESS STEEL (ASTM A 182, GRADE F-316) |
| 9 | LOCATING PIECE | STAINLESS STEEL (ASTM A 182, GRADE F-316) |
| 10 | LIFTING LUG | CARBON STEEL |
| 11 | SCREW | STAINLESS STEEL (316) |

*Other Seat Materials Available in Metal (Same as Disc), 316LSS Overlay, and 410SS Overlay.

| PRODUCT NUMBER† | SIZE | DIMENSIONS | | | WEIGHT |
|-------------------|-------|------------|--------|----------|--------|
| | | A | B | C* | |
| 2DL5R-CS-362IX | 2 | 4-3/8 | 2-3/8 | 1-3/16 | 18 |
| 21/2DL5R-CS-362IX | 2-1/2 | 5-1/8 | 2-5/8 | 2-1/8 | 27 |
| 3DL5R-CS-362IX | 3 | 5-7/8 | 2-7/8 | 2-3/16 | 27 |
| 4DL5R-CS-362IX | 4 | 7-5/8 | 3-1/8 | 3-5/16 | 51 |
| 5DL5R-CS-362IX | 5 | 9-1/2 | 4-1/8 | 4-1/2 | 97 |
| 6DL5R-CS-362IX | 6 | 10-1/2 | 5-3/8 | 4-3/4 | 151 |
| 8DL5R-CS-362IX | 8 | 12-5/8 | 6-1/2 | 6-25/32 | 261 |
| 10DL5R-CS-362IX | 10 | 15-3/4 | 8-3/8 | 8-1/2 | 460 |
| 12DL5R-CS-362IX | 12 | 18 | 9 | 10-9/16 | 587 |
| 14DL5R-CS-362IX | 14 | 19-3/8 | 10-3/4 | 11-15/16 | 817 |
| 16DL5R-CS-362IX | 16 | 22-1/4 | 12 | 13-1/2 | 1058 |
| 18DL5R-CS-362IX | 18 | 24-1/8 | 14-1/4 | 13-3/4 | 1011 |
| 20DL5R-CS-362IX | 20 | 26-7/8 | 14-1/2 | 16-15/16 | 1279 |
| 24DL5R-CS-362IX | 24 | 31-1/8 | 17-1/4 | 20-1/2 | 1851 |
| 30DL5R-CS-362IX | 30 | 38-1/4 | 19-7/8 | 26-1/2 | 2987 |
| 36DL5R-CS-362IX | 36 | 44 | 25 | 30-3/8 | 5364 |
| 42DL5R-CS-362IX | 42 | 48 | 27-5/8 | 37-7/16 | 7048 |

*Minimum companion flange bore.

Available with thru-hole bolting or threaded bolt holes.

†See "Style DL Product Number Configuration" for additional options.

| BODY PRESSURE & TEMPERATURE RATINGS – NON SHOCK | | |
|---|--------|------------------|
| NOM. RATING | MEDIA | 2" to 42" |
| 600# (WAFER LUG) | W.O.G. | 1480 PSI @ 100°F |

APPLICABLE STANDARDS

| | |
|-----------------------------|---------------|
| • Design ASME B16.5, B16.34 | • MSS SP – 6 |
| • Conform to API 594 & 6D | • MSS SP – 25 |
| • Testing API 598 | • MSS SP – 55 |

KECKLEY

3400 CLEVELAND SKOKIE ILLINOIS

DRAWING NO.
AL 103400

DIMENSIONAL ASSEMBLY

PART NO.
DL5R-CS-362IX

600# Retainerless Wafer Lug Body

SCALE: NTS

Double Disc Check Valve

DATE: 07/01/2011

MAT'L: Cast Carbon Steel

REQ. ---

DR. BY DSF