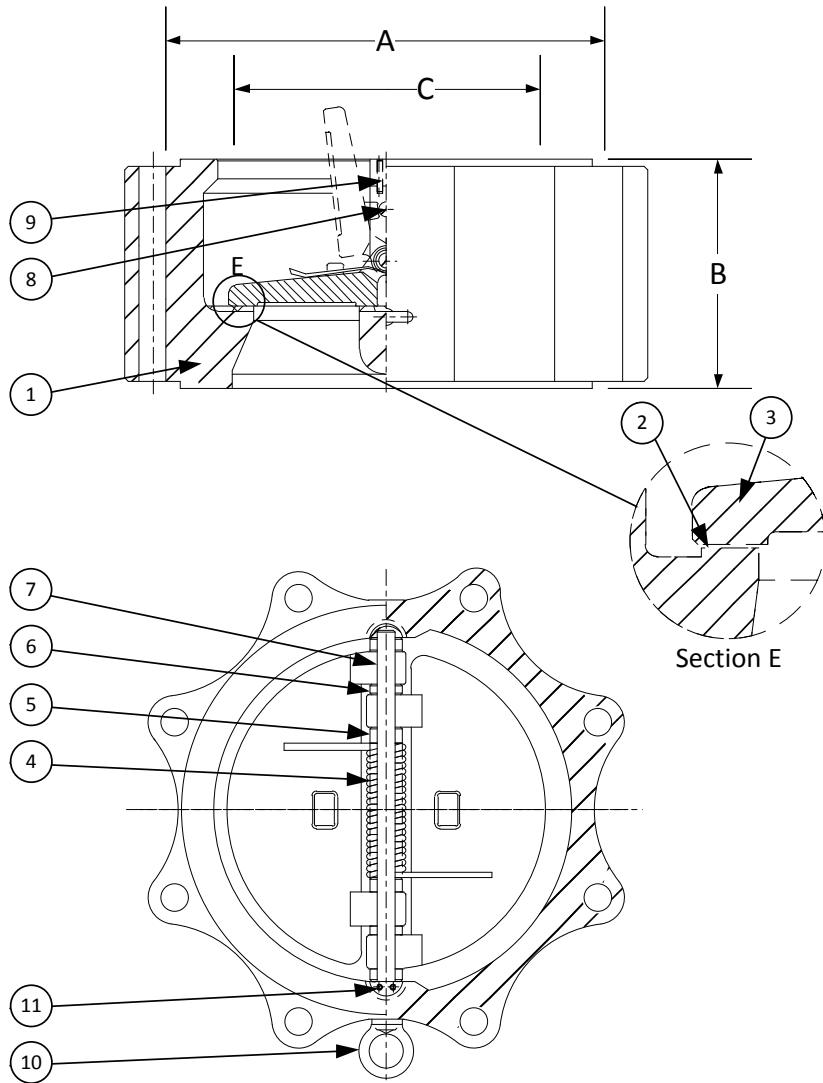


DRAWING NO.
AL 103520



PARTS LIST

ITEM	DESCRIPTION	MATERIAL
1	BODY	DUPLEX (ASTM A 351, GRADE CD4MCu)
2	SEAT*	DUPLEX (ASTM A 351, GRADE CD4MCu)
3	DISC	DUPLEX (ASTM A 351, GRADE CD4MCu)
4	SPRING	INCONEL X-750
5	SPRING PLATE	STAINLESS STEEL (ASTM A 182, GRADE F-316)
6	THRUST WASHER	STAINLESS STEEL (ASTM A 182, GRADE F-316)
7	HINGE PIN	STAINLESS STEEL (ASTM A 182, GRADE F-316)
8	STOP PIN	STAINLESS STEEL (ASTM A 182, GRADE F-316)
9	LOCATING PIECE	STAINLESS STEEL (ASTM A 182, GRADE F-316)
10	LIFTING LUG	CARBON STEEL
11	SCREW	STAINLESS STEEL (316)

*Other Seat Materials Available in Metal (Same as Disc), 316LSS Overlay, and 410SS Overlay.

PRODUCT NUMBER†	SIZE	DIMENSIONS			WEIGHT
		A	B	C*	
2DL5R-DP-DP2IX	2	4-3/8	2-3/8	1-3/16	18
21/2DL5R-DP-DP2IX	2-1/2	5-1/8	2-5/8	2-1/8	27
3DL5R-DP-DP2IX	3	5-7/8	2-7/8	2-3/16	27
4DL5R-DP-DP2IX	4	7-5/8	3-1/8	3-5/16	51
5DL5R-DP-DP2IX	5	9-1/2	4-1/8	4-1/2	97
6DL5R-DP-DP2IX	6	10-1/2	5-3/8	4-3/4	151
8DL5R-DP-DP2IX	8	12-5/8	6-1/2	6-25/32	261
10DL5R-DP-DP2IX	10	15-3/4	8-3/8	8-1/2	460
12DL5R-DP-DP2IX	12	18	9	10-9/16	587
14DL5R-DP-DP2IX	14	19-3/8	10-3/4	11-15/16	817
16DL5R-DP-DP2IX	16	22-1/4	12	13-1/2	1058
18DL5R-DP-DP2IX	18	24-1/8	14-1/4	13-3/4	1011
20DL5R-DP-DP2IX	20	26-7/8	14-1/2	16-15/16	1279
24DL5R-DP-DP2IX	24	31-1/8	17-1/4	20-1/2	1851
30DL5R-DP-DP2IX	30	38-1/4	19-7/8	26-1/2	2987
36DL5R-DP-DP2IX	36	44	25	30-3/8	5364
42DL5R-DP-DP2IX	42	48	27-5/8	37-7/16	7048

*Minimum companion flange bore.

Available with thru-hole bolting or threaded bolt holes.

†See "Style DL Product Number Configuration" for additional options.

BODY PRESSURE & TEMPERATURE RATINGS – NON SHOCK		
NOM. RATING	MEDIA	2" to 42"
600# (WAFER LUG)	W.O.G.	1440 PSI @ 100°F

APPLICABLE STANDARDS

• Design ASME B16.5, B16.34	• MSS SP – 6
• Conform to API 594 & 6D	• MSS SP – 25
• Testing API 598	• MSS SP – 55

KECKLEY

3400 CLEVELAND SKOKIE ILLINOIS

DRAWING NO.
AL 103520

DIMENSIONAL ASSEMBLY

PART NO.
DL5R-DP-DP2IX

600# Retainerless Wafer Lug Body

SCALE: NTS

Double Disc Check Valve

DATE: 07/01/2011

MAT'L: Cast Duplex

REQ. ---

DR. BY DSF