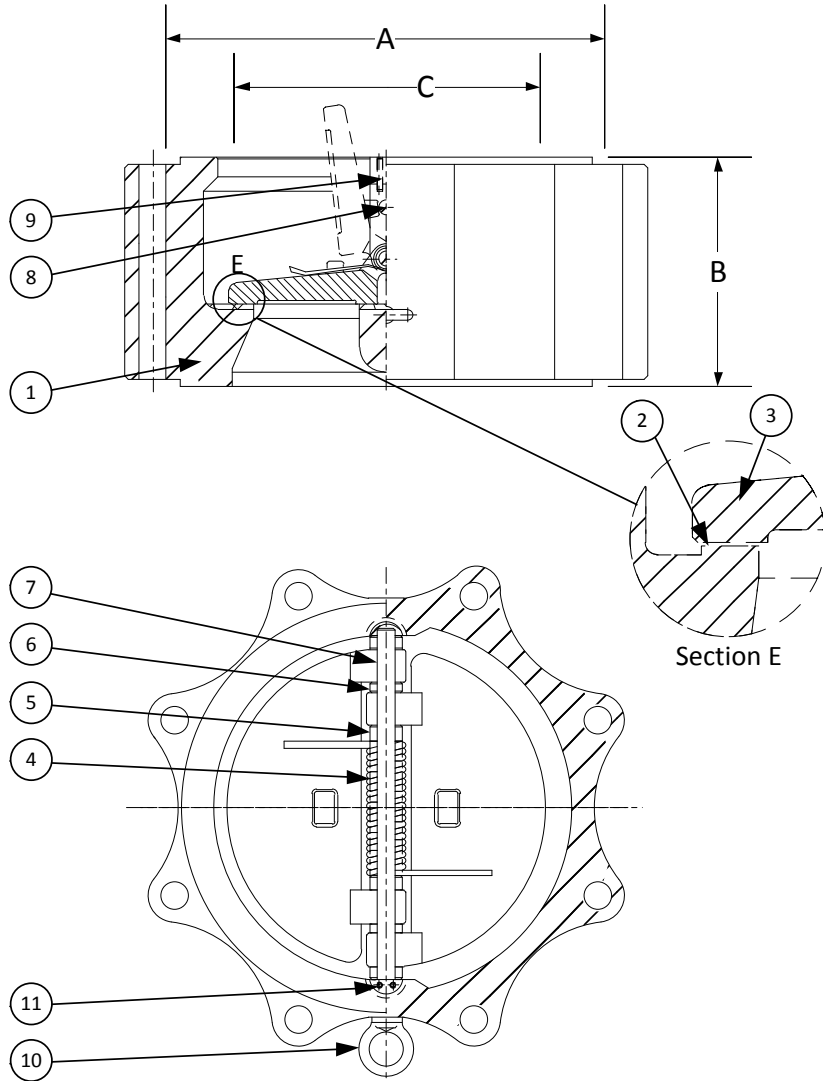


DRAWING NO.  
AL 103420



**PARTS LIST**

| ITEM | DESCRIPTION    | MATERIAL                                  |
|------|----------------|---|
| 1    | BODY           | STAINLESS STEEL (ASTM A 351, GRADE CF8M)  |
| 2    | SEAT*          | STAINLESS STEEL (ASTM A 351, GRADE CF8M)  |
| 3    | DISC           | STAINLESS STEEL (ASTM A 351, GRADE CF8M)  |
| 4    | SPRING         | INCONEL X-750                             |
| 5    | SPRING PLATE   | STAINLESS STEEL (ASTM A 182, GRADE F-316) |
| 6    | THRUST WASHER  | STAINLESS STEEL (ASTM A 182, GRADE F-316) |
| 7    | HINGE PIN      | STAINLESS STEEL (ASTM A 182, GRADE F-316) |
| 8    | STOP PIN       | STAINLESS STEEL (ASTM A 182, GRADE F-316) |
| 9    | LOCATING PIECE | STAINLESS STEEL (ASTM A 182, GRADE F-316) |
| 10   | LIFTING LUG    | CARBON STEEL                              |
| 11   | SCREW          | STAINLESS STEEL (316)                     |

\*Other Seat Materials Available in Metal (Same as Disc), 316LSS Overlay, and 410SS Overlay.

| PRODUCT NUMBER†   | SIZE  | DIMENSIONS |        |          | WEIGHT |
|-------------------|-------|------------|--------|----------|--------|
|                   |       | A          | B      | C*       |        |
| 2DL5R-36-362IX    | 2     | 4-3/8      | 2-3/8  | 1-3/16   | 18     |
| 21/2DL5R-36-362IX | 2-1/2 | 5-1/8      | 2-5/8  | 2-1/8    | 27     |
| 3DL5R-36-362IX    | 3     | 5-7/8      | 2-7/8  | 2-3/16   | 27     |
| 4DL5R-36-362IX    | 4     | 7-5/8      | 3-1/8  | 3-5/16   | 51     |
| 5DL5R-36-362IX    | 5     | 9-1/2      | 4-1/8  | 4-1/2    | 97     |
| 6DL5R-36-362IX    | 6     | 10-1/2     | 5-3/8  | 4-3/4    | 151    |
| 8DL5R-36-362IX    | 8     | 12-5/8     | 6-1/2  | 6-25/32  | 261    |
| 10DL5R-36-362IX   | 10    | 15-3/4     | 8-3/8  | 8-1/2    | 460    |
| 12DL5R-36-362IX   | 12    | 18         | 9      | 10-9/16  | 587    |
| 14DL5R-36-362IX   | 14    | 19-3/8     | 10-3/4 | 11-15/16 | 817    |
| 16DL5R-36-362IX   | 16    | 22-1/4     | 12     | 13-1/2   | 1058   |
| 18DL5R-36-362IX   | 18    | 24-1/8     | 14-1/4 | 13-3/4   | 1011   |
| 20DL5R-36-362IX   | 20    | 26-7/8     | 14-1/2 | 16-15/16 | 1279   |
| 24DL5R-36-362IX   | 24    | 31-1/8     | 17-1/4 | 20-1/2   | 1851   |
| 30DL5R-36-362IX   | 30    | 38-1/4     | 19-7/8 | 26-1/2   | 2987   |
| 36DL5R-36-362IX   | 36    | 44         | 25     | 30-3/8   | 5364   |
| 42DL5R-36-362IX   | 42    | 48         | 27-5/8 | 37-7/16  | 7048   |

\*Minimum companion flange bore.

Available with thru-hole bolting or threaded bolt holes.

†See "Style DL Product Number Configuration" for additional options.

| BODY PRESSURE & TEMPERATURE RATINGS – NON SHOCK |        |                  |
|---|--------|------------------|
| NOM. RATING                                     | MEDIA  | 2" to 42"        |
| 600# (WAFFER LUG)                               | W.O.G. | 1440 PSI @ 100°F |

**APPLICABLE STANDARDS**

|                             |               |
|-----------------------------|---------------|
| • Design ASME B16.5, B16.34 | • MSS SP – 6  |
| • Conform to API 594 & 6D   | • MSS SP – 25 |
| • Testing API 598           | • MSS SP – 55 |

**KECKLEY**

3400 CLEVELAND SKOKIE ILLINOIS

DRAWING NO.  
AL 103420

DIMENSIONAL ASSEMBLY

PART NO.  
DL5R-36-362IX

600# Retainerless Wafer Lug Body

SCALE: NTS

Double Disc Check Valve

DATE: 07/01/2011

MAT'L: Cast Stainless Steel

REQ. ---

DR. BY DSF