

DRAWING NO.
AL 102640

BODY PRESSURE & TEMPERATURE RATINGS – NON SHOCK		
NOM. RATING	MEDIA	2" to 24"
900# (WAFER LUG)	W.O.G.	2160 PSI @ 100°F

PARTS LIST		
ITEM	DESCRIPTION	MATERIAL
1	BODY	ALLOY 20 (ASTM A 351, GRADE CN7M)
2	SEAT*	VITON O-RING
3	DISC	ALLOY 20 (ASTM A 351, GRADE CN7M)
4	SPRING	INCONEL X-750
5	SPRING PLATE	STAINLESS STEEL (ASTM A 182, GRADE F-316)
6	THRUST WASHER	STAINLESS STEEL (ASTM A 182, GRADE F-316)
7	HINGE PIN	STAINLESS STEEL (ASTM A 182, GRADE F-316)
8	STOP PIN	STAINLESS STEEL (ASTM A 182, GRADE F-316)
9	LOCATING PIECE	STAINLESS STEEL (ASTM A 182, GRADE F-316)
10	LIFTING LUG	CARBON STEEL
11	SCREW	STAINLESS STEEL (316)

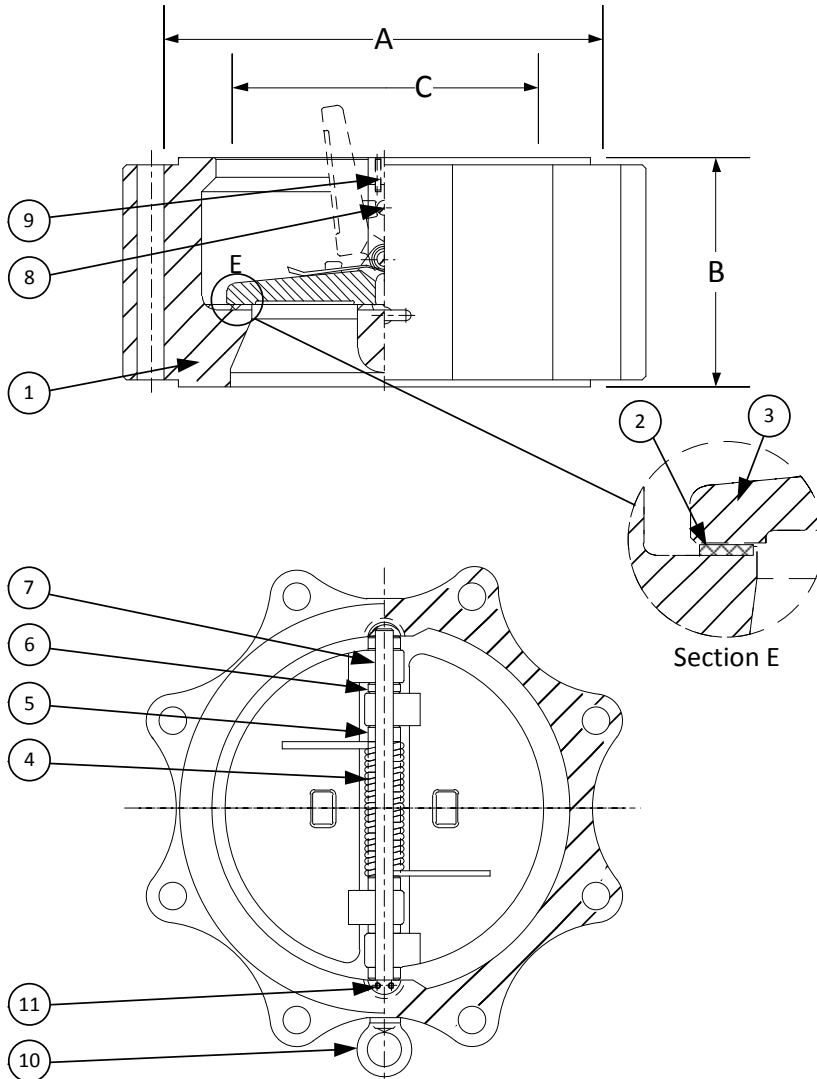
*Other Seat Materials Available in Buna-N, EPDM, PTFE, and Neoprene.

PRODUCT NUMBER†	SIZE	DIMENSIONS			WEIGHT
		A	B	C*	
2DL6R-A2-A24IX	2	5-5/8	2-3/4	-	26
2 1/2DL6R-A2-A24IX	2-1/2	6-1/2	3-1/4	2	40
3DL6R-A2-A24IX	3	6-5/8	3-1/4	2-1/8	44
4DL6R-A2-A24IX	4	8-1/8	4	3-1/16	68
6DL6R-A2-A24IX	6	11-3/8	6-1/4	3-5/8	240
8DL6R-A2-A24IX	8	14-1/8	8-1/8	6-1/2	443
10DL6R-A2-A24IX	10	17-1/8	9-1/2	8-3/16	661
12DL6R-A2-A24IX	12	19-5/8	11-1/2	9-3/4	981
14DL6R-A2-A24IX	14	20-1/2	14	8-15/16	1241
16DL6R-A2-A24IX	16	22-5/8	15-1/8	11-7/32	2074
18DL6R-A2-A24IX	18	25-1/8	17-3/4	13-15/16	1418
20DL6R-A2-A24IX	20	27-1/2	17-3/4	17-1/16	1892
24DL6R-A2-A24IX	24	33	19-1/2	20-15/32	2786

*Minimum companion flange bore.

Available with thru-hole bolting or threaded bolt holes.

†See "Style DL Product Number Configuration" for additional options.



APPLICABLE STANDARDS

• Design ASME B16.5, B16.34	• MSS SP – 6
• Conform to API 594 & 6D	• MSS SP – 25
• Testing API 598	• MSS SP – 55

KECKLEY

3400 CLEVELAND SKOKIE ILLINOIS

DIMENSIONAL ASSEMBLY

900# Retainerless Wafer Lug Body

Double Disc Check Valve

MAT'L: Cast Alloy 20

REQ. ---

DRAWING NO.

AL 102640

PART NO.
DL6R-A2-A24IX

SCALE: NTS

DATE: 07/01/2011

DR. BY DSF