

DRAWING NO.  
AL 105080

| BODY PRESSURE & TEMPERATURE RATINGS – NON SHOCK |        |                 |
|-------------------------------------------------|--------|-----------------|
| NOM. RATING                                     | MEDIA  | 8" to 48"       |
| 150# (WAFER DOUBLE FLANGE)                      | W.O.G. | 285 PSI @ 100°F |

| PARTS LIST |                |                                           |
|------------|----------------|-------------------------------------------|
| ITEM       | DESCRIPTION    | MATERIAL                                  |
| 1          | BODY           | LOW CARBON STEEL (ASTM A 352, GRADE LCB)  |
| 2          | SEAT*          | LOW CARBON STEEL (ASTM A 352, GRADE LCB)  |
| 3          | DISC           | LOW CARBON STEEL (ASTM A 352, GRADE LCB)  |
| 4          | SPRING         | INCONEL X-750                             |
| 5          | SPRING PLATE   | STAINLESS STEEL (ASTM A 182, GRADE F-316) |
| 6          | THRUST WASHER  | STAINLESS STEEL (ASTM A 182, GRADE F-316) |
| 7          | HINGE PIN      | STAINLESS STEEL (ASTM A 182, GRADE F-316) |
| 8          | STOP PIN       | STAINLESS STEEL (ASTM A 182, GRADE F-316) |
| 9          | LOCATING PIECE | STAINLESS STEEL (ASTM A 182, GRADE F-316) |
| 10         | LIFTING LUG    | CARBON STEEL                              |
| 11         | SCREW          | STAINLESS STEEL (316)                     |

\*Other Seat Materials Available in Metal (Same as Disc), 316LSS Overlay, and 410SS Overlay.

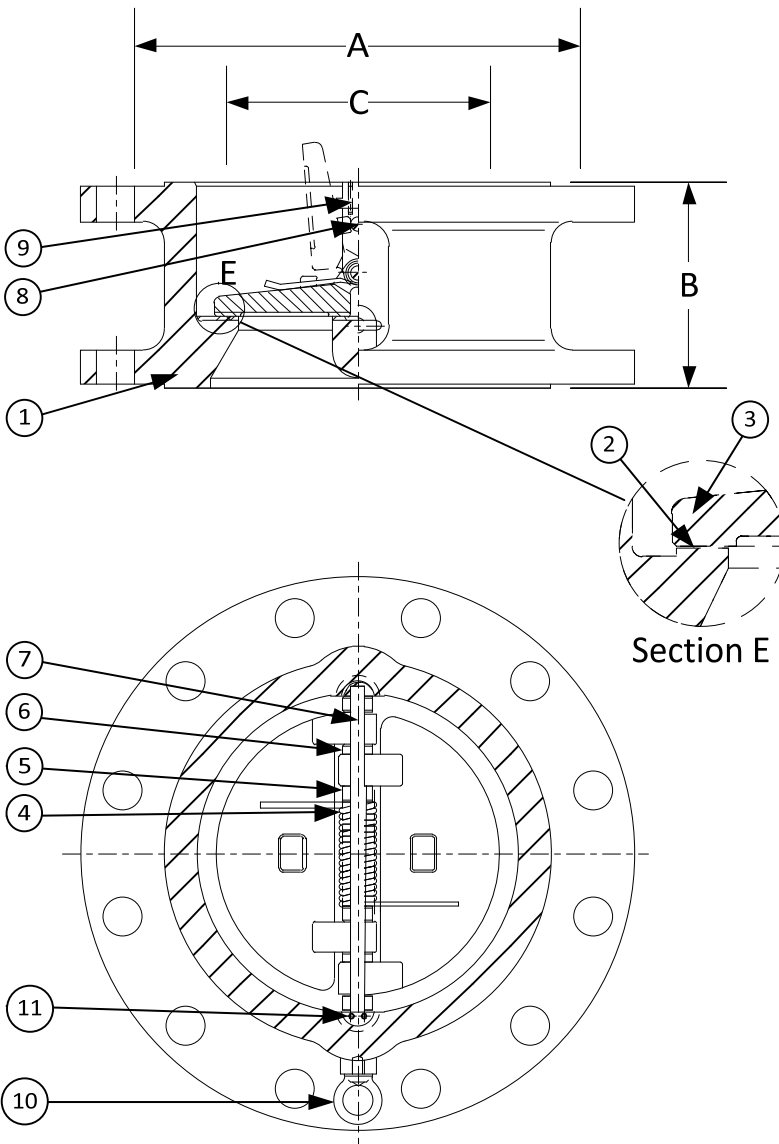
| PRODUCT NUMBER† | SIZE | DIMENSIONS |        |        | WEIGHT |
|-----------------|------|------------|--------|--------|--------|
|                 |      | A          | B      | C*     |        |
| 8DF2R-LC-LC2IX  | 8    | 11         | 5      | 7-5/8  | 93     |
| 10DF2R-LC-LC2IX | 10   | 13-3/8     | 5-3/4  | 9-9/16 | 189    |
| 12DF2R-LC-LC2IX | 12   | 16-1/8     | 7-1/8  | 11-3/8 | 308    |
| 14DF2R-LC-LC2IX | 14   | 17-3/4     | 7-1/4  | 12-1/2 | 352    |
| 16DF2R-LC-LC2IX | 16   | 20-1/4     | 7-1/2  | 15     | 496    |
| 18DF2R-LC-LC2IX | 18   | 21-5/8     | 8      | 16-7/8 | 551    |
| 20DF2R-LC-LC2IX | 20   | 23-7/8     | 8-5/8  | 18-7/8 | 661    |
| 24DF2R-LC-LC2IX | 24   | 28-1/4     | 8-3/4  | 22-5/8 | 860    |
| 30DF2R-LC-LC2IX | 30   | 34-3/4     | 12     | 29-1/4 | 1512   |
| 36DF2R-LC-LC2IX | 36   | 41-1/4     | 14-1/2 | 35     | 2525   |
| 42DF2R-LC-LC2IX | 42   | 48         | 17     | 41     | 4163   |
| 48DF2R-LC-LC2IX | 48   | 54-1/2     | 20-5/8 | 47     | 5880   |

\*Minimum companion flange bore.

Sizes 30" and larger fit **Series A** flanges.


Available with thru-hole bolting or threaded bolt holes

†See "**Style DF Product Number Configuration**" for additional options.



**APPLICABLE STANDARDS**

|                             |               |
|-----------------------------|---------------|
| • Design ASME B16.5, B16.34 | • MSS SP – 6  |
| • Conform to API 594 & 6D   | • MSS SP – 25 |
| • Testing API 598           | • MSS SP – 55 |

|                                                                                                                         |          |                           |
|-------------------------------------------------------------------------------------------------------------------------|----------|---------------------------|
| <br>3400 CLEVELAND SKOKIE ILLINOIS |          | DRAWING NO.<br>AL 105080  |
|                                                                                                                         |          | PART NO.<br>DF2R-LC-LC2IX |
| DIMENSIONAL ASSEMBLY                                                                                                    |          | SCALE: NTS                |
| 150# Retainerless Wafer Double Flange Body                                                                              |          | DATE: 07/01/2011          |
| Double Disc Check Valve                                                                                                 |          | DR. BY DSF                |
| MAT'L: Cast Low Carbon Steel                                                                                            | REQ. --- |                           |