

DRAWING NO.  
AL 105440

BODY PRESSURE & TEMPERATURE RATINGS – NON SHOCK		
NOM. RATING	MEDIA	12" to 42"
600# (WAFER DOUBLE FLANGE)	W.O.G.	1480 PSI @ 100°F

PARTS LIST		
ITEM	DESCRIPTION	MATERIAL
1	BODY	LOW CARBON STEEL (ASTM A 352, GRADE LCB)
2	SEAT*	LOW CARBON STEEL (ASTM A 352, GRADE LCB)
3	DISC	LOW CARBON STEEL (ASTM A 352, GRADE LCB)
4	SPRING	INCONEL X-750
5	SPRING PLATE	STAINLESS STEEL (ASTM A 182, GRADE F-316)
6	THRUST WASHER	STAINLESS STEEL (ASTM A 182, GRADE F-316)
7	HINGE PIN	STAINLESS STEEL (ASTM A 182, GRADE F-316)
8	STOP PIN	STAINLESS STEEL (ASTM A 182, GRADE F-316)
9	LOCATING PIECE	STAINLESS STEEL (ASTM A 182, GRADE F-316)
10	LIFTING LUG	CARBON STEEL
11	SCREW	STAINLESS STEEL (316)

\*Other Seat Materials Available in Metal (Same as Disc), 316LSS Overlay, and 410SS Overlay.

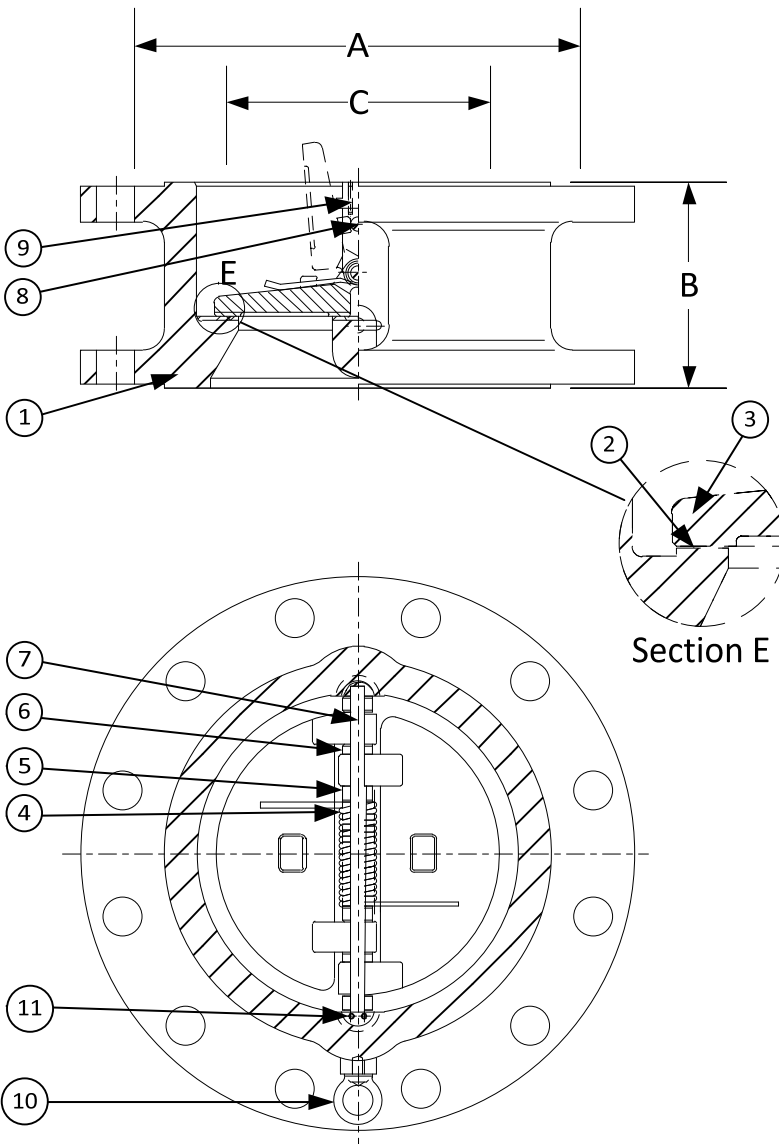
PRODUCT NUMBER†	SIZE	DIMENSIONS			WEIGHT
		A	B	C*	
12DF5R-LC-LC2IX	12	18	9	11-3/8	612
14DF5R-LC-LC2IX	14	19-3/8	10-3/4	12-1/2	826
16DF5R-LC-LC2IX	16	22-1/4	12	14-3/8	951
18DF5R-LC-LC2IX	18	24-1/8	14-1/4	16-1/8	1433
20DF5R-LC-LC2IX	20	26-7/8	14-1/2	18	1763
24DF5R-LC-LC2IX	24	31-1/8	17-1/4	21-9/16	2755
30DF5R-LC-LC2IX	30	38-1/4	19-7/8	28-3/4	5070
36DF5R-LC-LC2IX	36	44-1/2	25	33-3/4	7605
42DF5R-LC-LC2IX	42	48	27-37/64	39-1/2	9985

\*Minimum companion flange bore.

Sizes 30" and larger fit **Series A** flanges.


Available with thru-hole bolting or threaded bolt holes

†See "Style DF Product Number Configuration" for additional options.



**APPLICABLE STANDARDS**

• Design ASME B16.5, B16.34	• MSS SP – 6
• Conform to API 594 & 6D	• MSS SP – 25
• Testing API 598	• MSS SP – 55

 3400 CLEVELAND SKOKIE ILLINOIS		DRAWING NO. AL 105440
		PART NO. DF5R-LC-LC2IX
DIMENSIONAL ASSEMBLY		SCALE: NTS
600# Retainerless Wafer Double Flange Body		DATE: 07/01/2011
Double Disc Check Valve		DR. BY DSF
MAT'L: Cast Low Carbon Steel	REQ. ---	