

DRAWING NO.
AL 104440

BODY PRESSURE & TEMPERATURE RATINGS – NON SHOCK		
NOM. RATING	MEDIA	12" to 42"
600# (WAFER DOUBLE FLANGE)	W.O.G.	1480 PSI @ 100°F

PARTS LIST		
ITEM	DESCRIPTION	MATERIAL
1	BODY	LOW CARBON STEEL (ASTM A 352, GRADE LCB)
2	SEAT*	VITON O-RING
3	DISC	LOW CARBON STEEL (ASTM A 352, GRADE LCB)
4	SPRING	INCONEL X-750
5	SPRING PLATE	STAINLESS STEEL (ASTM A 182, GRADE F-316)
6	THRUST WASHER	STAINLESS STEEL (ASTM A 182, GRADE F-316)
7	HINGE PIN	STAINLESS STEEL (ASTM A 182, GRADE F-316)
8	STOP PIN	STAINLESS STEEL (ASTM A 182, GRADE F-316)
9	LOCATING PIECE	STAINLESS STEEL (ASTM A 182, GRADE F-316)
10	LIFTING LUG	CARBON STEEL
11	SCREW	STAINLESS STEEL (316)

*Other Seat Materials Available in Buna, EPDM, PTFE, and Neoprene.

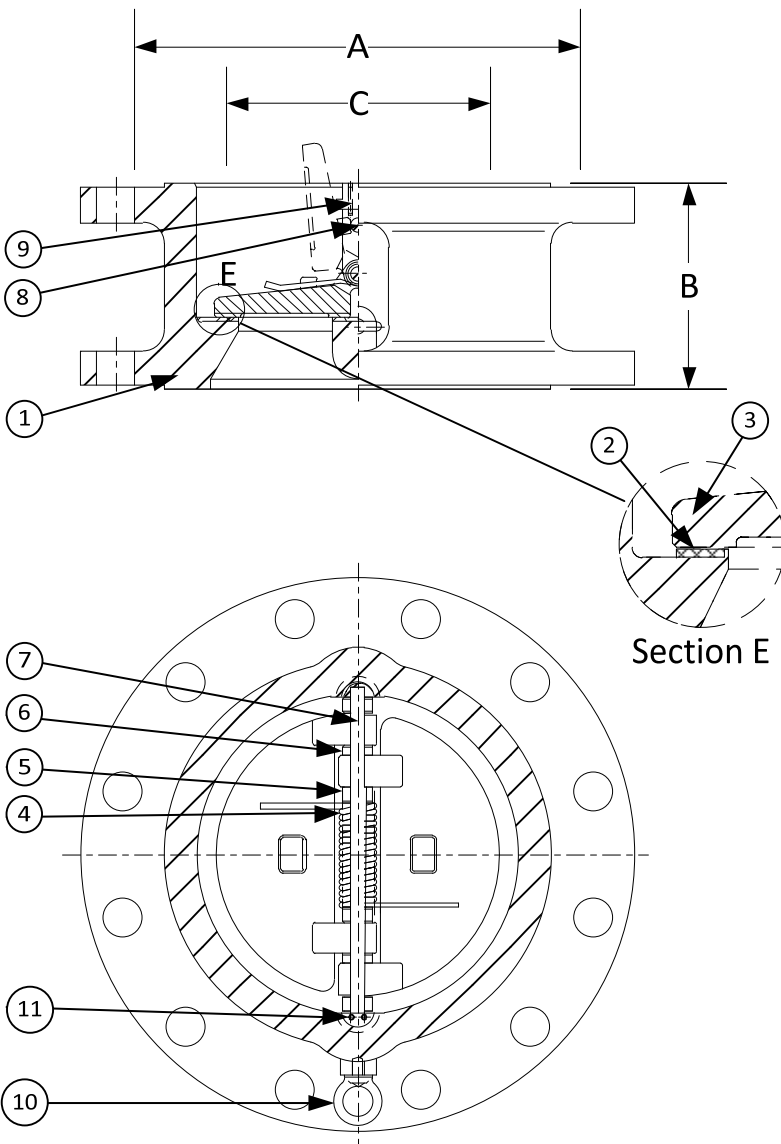
PRODUCT NUMBER†	SIZE	DIMENSIONS			WEIGHT
		A	B	C*	
12DF5R-LC-LC4IX	12	18	9	11-3/8	612
14DF5R-LC-LC4IX	14	19-3/8	10-3/4	12-1/2	826
16DF5R-LC-LC4IX	16	22-1/4	12	14-3/8	951
18DF5R-LC-LC4IX	18	24-1/8	14-1/4	16-1/8	1433
20DF5R-LC-LC4IX	20	26-7/8	14-1/2	18	1763
24DF5R-LC-LC4IX	24	31-1/8	17-1/4	21-9/16	2755
30DF5R-LC-LC4IX	30	38-1/4	19-7/8	28-3/4	5070
36DF5R-LC-LC4IX	36	44-1/2	25	33-3/4	7605
42DF5R-LC-LC4IX	42	48	27-37/64	39-1/2	9985

*Minimum companion flange bore.

Sizes 30" and larger fit **Series A** flanges.

Available with thru-hole bolting or threaded bolt holes

†See "Style DF Product Number Configuration" for additional options.



APPLICABLE STANDARDS

- | | |
|-----------------------------|---------------|
| • Design ASME B16.5, B16.34 | • MSS SP – 6 |
| • Conform to API 594 & 6D | • MSS SP – 25 |
| • Testing API 598 | • MSS SP – 55 |

KECKLEY

3400 CLEVELAND SKOKIE ILLINOIS

DIMENSIONAL ASSEMBLY

600# Retainerless Wafer Double Flange Body

Double Disc Check Valve

MAT'L: Cast Low Carbon Steel

REQ. ---

DRAWING NO.

AL 104440

PART NO.
DF5R-LC-LC4IX

SCALE: NTS

DATE: 11/21/2018

DR. BY DSF