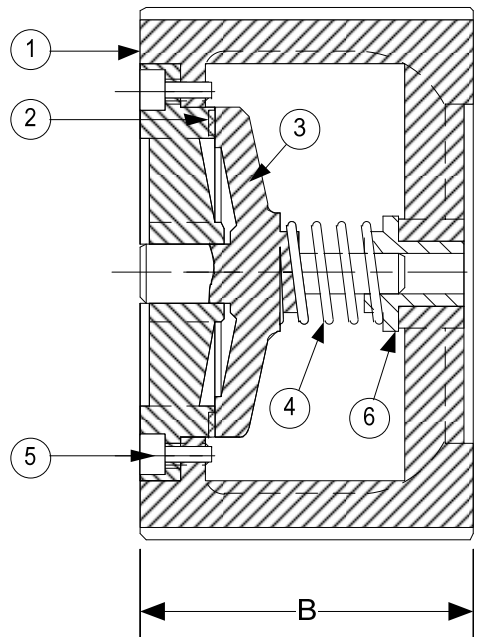
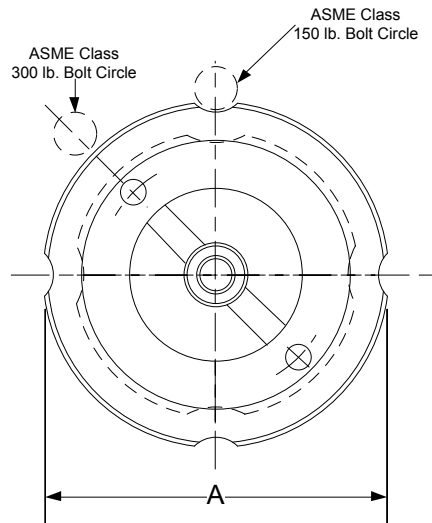


DRAWING NO.  
AL 99520



**APPLICABLE STANDARDS**

- Design ASME B16.5, B16.34
- Testing API 598
- MSS SP - 6
- MSS SP - 25
- MSS SP - 55

**BODY PRESSURE & TEMPERATURE RATINGS – NON SHOCK**

NOM. RATING*	MEDIA	2" to 6"	8" to 12"
150# (WAFER)	W.O.G.	740 PSI @ 100°F	285 PSI @ 100°F

\*Sizes 2" – 6" are 150/300 lb dual rated. Sizes 8" – 12" are 150 lb. rated.

**PARTS LIST**

ITEM	DESCRIPTION	MATERIAL
1	BODY	CAST CARBON STEEL (ASTM A 216, GRADE WCB)
2	SEAT*	CAST CARBON STEEL (ASTM A 216, GRADE WCB)
3	DISC	CAST STAINLESS STEEL (ASTM A 351, GRADE CF8M)
4	SPRING	STAINLESS STEEL (ASTM A 182, 316)
5	SCREW	STAINLESS STEEL (ASTM A 182, 316)
6	BUSHING	STAINLESS STEEL (ASTM A 182, 316)

\*Other Seat Materials Available in Metal (Same as Disc), 316LSS Overlay, and 410SS Overlay.

PRODUCT NUMBER†	SIZE	DIMENSIONS			WEIGHT
		A	B	Bolt Diameter	
2CW2R-CS-36236	2	4-1/4	2-5/8	5/8	5
21/2CW2R-CS-36236	2-1/2	5	2-7/8	5/8	8
3CW2R-CS-36236	3	5-3/4	3-1/8	5/8	10
4CW2R-CS-36236	4	7	4	5/8	18
5CW2R-CS-36236	5	8-3/8	4-5/8	3/4	29
6CW2R-CS-36236	6	9-3/4	5-9/16	3/4	42
8CW2R-CS-36236	8	13-1/2	6-1/2	3/4	85
10CW2R-CS-36236	10	16	8-1/4	7/8	160
12CW2R-CS-36236	12	19-1/4	11-1/4	7/8	340

†See "Style CW Product Number Configuration" for additional options.

**KECKLEY**

3400 CLEVELAND SKOKIE ILLINOIS

DRAWING NO.  
AL 99520

DIMENSIONAL ASSEMBLY

PART NO.  
CW2R-CS-36236

150# Wafer Center Guided Silent

SCALE: NTS

Check Valve

DATE: 07/01/2011

MAT'L: Cast Carbon Steel

REQ. ---

DR. BY DSF