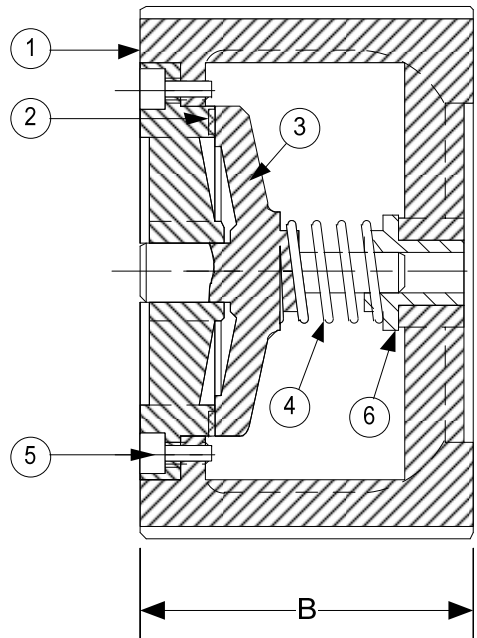
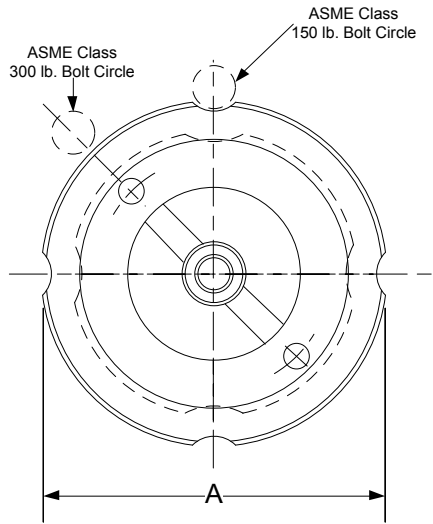


DRAWING NO.
AL 99020



APPLICABLE STANDARDS

- | | |
|-----------------------------|---------------|
| • Design ASME B16.5, B16.34 | • MSS SP - 6 |
| • Testing API 598 | • MSS SP - 25 |
| | • MSS SP - 55 |

BODY PRESSURE & TEMPERATURE RATINGS – NON SHOCK

NOM. RATING*	MEDIA	2" to 6"	8" to 12"
150# (WAFER)	W.O.G.	740 PSI @ 100°F	285 PSI @ 100°F

*Sizes 2" – 6" are 150/300 lb dual rated. Sizes 8" – 12" are 150 lb. rated.

PARTS LIST

ITEM	DESCRIPTION	MATERIAL
1	BODY	CAST CARBON STEEL (ASTM A 216, GRADE WCB)
2	SEAT*	BUNA-N O-RING
3	DISC	CAST STAINLESS STEEL (ASTM A 351, GRADE CF8M)
4	SPRING	STAINLESS STEEL (ASTM A 182, 316)
5	SCREW	STAINLESS STEEL (ASTM A 182, 316)
6	BUSHING	STAINLESS STEEL (ASTM A 182, 316)

*Other Seat Materials Available in Viton, EPDM, PTFE, and Neoprene.

PRODUCT NUMBER†	SIZE	DIMENSIONS			WEIGHT
		A	B	Bolt Diameter	
2CW2R-CS-36136	2	4-1/4	2-5/8	5/8	5
21/2CW2R-CS-36136	2-1/2	5	2-7/8	5/8	8
3CW2R-CS-36136	3	5-3/4	3-1/8	5/8	10
4CW2R-CS-36136	4	7	4	5/8	18
5CW2R-CS-36136	5	8-3/8	4-5/8	3/4	29
6CW2R-CS-36136	6	9-3/4	5-9/16	3/4	42
8CW2R-CS-36136	8	13-1/2	6-1/2	3/4	85
10CW2R-CS-36136	10	16	8-1/4	7/8	160
12CW2R-CS-36136	12	19-1/4	11-1/4	7/8	340

†See "Style CW Product Number Configuration" for additional options.

KECKLEY

3400 CLEVELAND SKOKIE ILLINOIS

DRAWING NO.
AL 99020

DIMENSIONAL ASSEMBLY

PART NO.
CW2R-CS-36136

150# Wafer Center Guided Silent

SCALE: NTS

Check Valve

DATE: 07/01/2011

MAT'L: Cast Carbon Steel

REQ. ---

DR. BY DSF