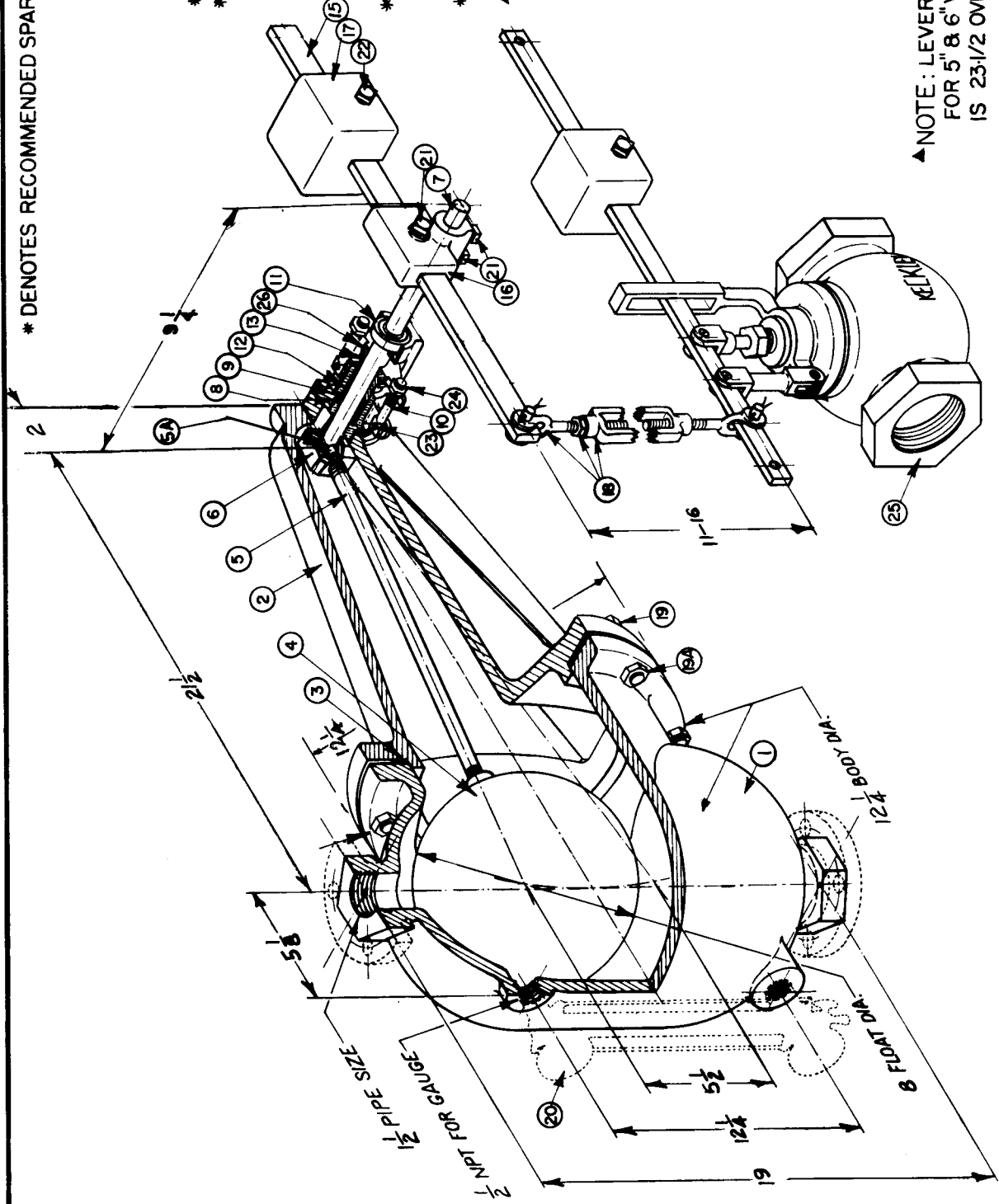


* DENOTES RECOMMENDED SPARE PARTS

PARTS LIST

NO.	NAME	QU.	MAT'L	DWG. NO.
1	BODY	1	C.I.	18117 B
2	COVER	1	C.I.	18122 B
3	BODY GASKET	1	Nbr 464	18132 A
4	FLOAT	1	S.S.	18124 A
5	FLOAT ROD	1	GAL. I.	18129 A
5-A	ROD PLUG	1	BRS.	18134 A
6	ROD CLEVIS	1	BRS.	18118 A
7	SHAFT	1	SST.	18130 A
8	YOKE	1	BRZ.	18120 A
9	YOKE GASKET	1	Nbr 464	18131 A
10	SWING BOLTS	1	STL.	9010 A
11	BALL BEARING	1	STL.	18135 A
12	PACKING	1	TFL.	—
13	GLAND	1	BRS.	18127 A
15	LEVER	1	STL.	18133 A
16	LEVER BRACKET	1	C.I.	18123 A
17	WEIGHT	1	C.I.	KD 49308
18	TURNBUCKLE SET	1	M.I.	18126 A
19	BODY BOLTS	12	STL.	14597
19-A	BODY NUTS	12	STL.	12860
20	WATER GAUGE	AT EXTRA COST		
21	BRACKET SCREWS	3	STL.	15202
22	WEIGHT SCREWS	1	STL.	16704
23	ROLL PINS	2	SST.	17936
24	HEX NUTS	2	STL.	15484
25	LEVER VALVE	AS REQD		
26	PACK'G RETAINER	1	BRZ.	18119 A

▲ NOTE: LEVER SHOWN IS FOR 1-1/2" TO 4" VALVES
FOR 5" & 6" VALVES USE LEVER KD 53115..... LEVER
IS 23-1/2" OVERALL, WITH 2-1/2" HOLE CENTERS



ISSUE	DATE	O.C. KECKLEY COMPANY SKOKIE ILLINOIS	DRAWING NO.
3	RE DRAWN		21159 A
		FLOAT BOX ASSEMBLY & PARTS	PART NO.
		8" #20 FLOAT BOX	SCALE: ISOM.
			DATE: 7-17-68
			DR. BY: <i>J. M. ...</i>
		MAT'L	REQ.