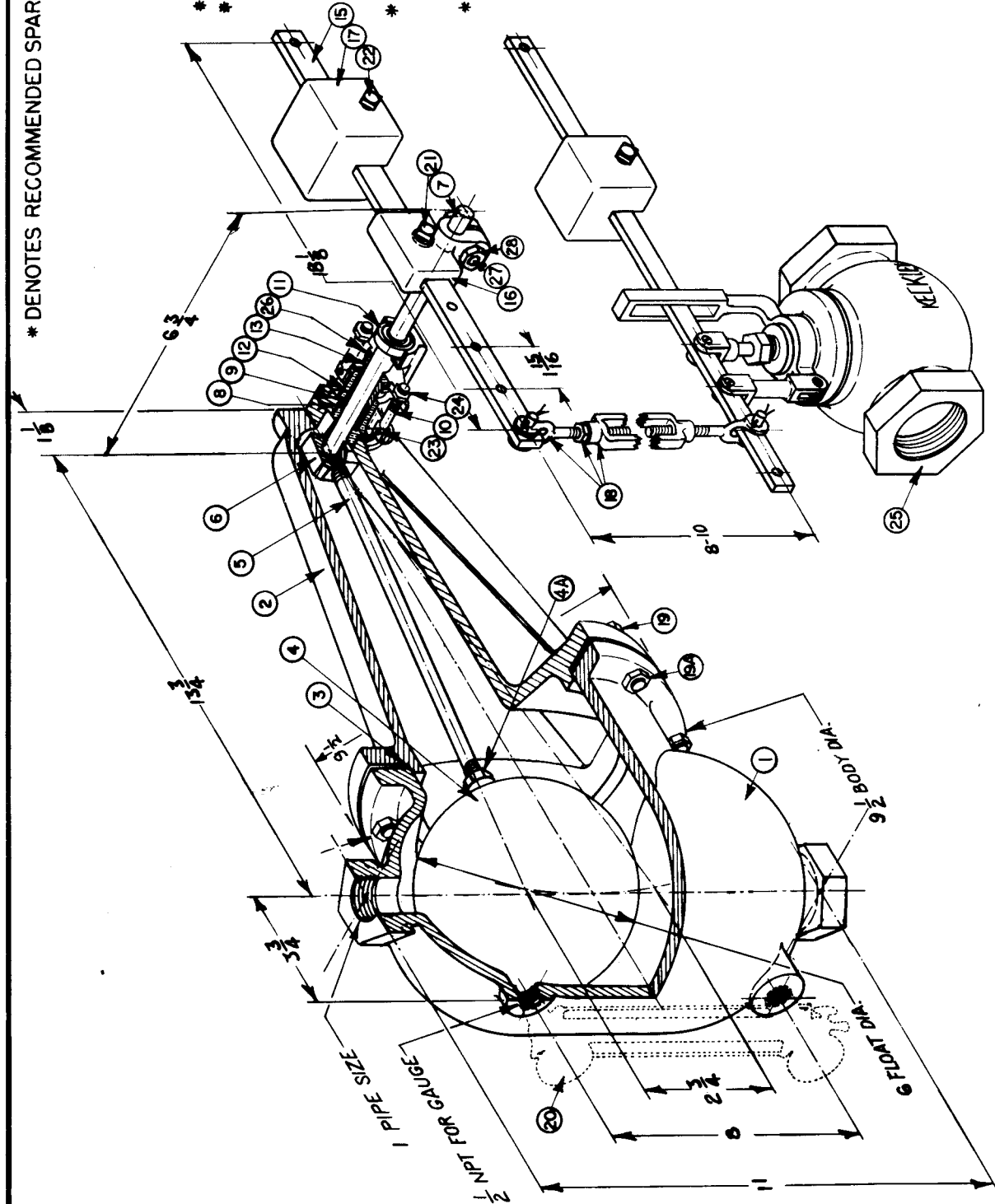


**18900A**  
DRAWING NO.

\* DENOTES RECOMMENDED SPARE PARTS .....

**PARTS LIST**

NO.	NAME	QU.	MATL.	DWG. NO.
1	BODY	1	C.I.	18889 B
2	COVER	1	C.I.	18893 B
3	BODY GASKET	1	Non Ast	18090 A
4	FLOAT	1	C.PTD	18082 A
4A	FLOAT NUT	1	BRS.	15185
5	FLOAT ROD	1	BRS.	18084 A
6	ROD CLEVIS	1	BRS.	18088 A
7	SHAFT	1	SST.	18085 A
8	YOKE	1	BRZ.	19390 A
9	YOKE GASKET	1	Non Ast	18089 A
10	SWING BOLTS	1	STL.	9010 A
11	BALL BEARING	1	STL.	18901 A
12	PACKING	1	TFL.	—
13	GLAND	1	BRS.	18087 A
15	LEVER	1	STL.	KD 49089
16	LEVER BRACKET	1	BRZ.	18894 A
17	WEIGHT	1	C.I.	KD 48146
18	TURNBUCKLE SET	1	M.I.	19301 A
19	BODY BOLTS	8	STL.	15044
19A	BODY NUTS	8	STL.	12854
20	WATER GAUGE	AT EXTRA COST		
21	BRACKET SCREW	1	STL.	18939
22	WEIGHT SCREWS	1	STL.	17962
23	ROLL PINS	2	SST.	18066
24	HEX NUTS	2	STL.	15484
25	LEVER VALVE	AS REQ'D		
26	PACK'G RETAINER	1	BRZ.	18086 A
27	BRACKET SCREW	1	STL.	17076
28	BRACKET NUT	1	BRS.	25714



ISSUE	DATE	<p><b>O.C. KECKLEY COMPANY</b> SKOKIE ILLINOIS</p> <p><b>FLOAT BOX ASSEMBLY &amp; PARTS</b></p> <p>6" #20 FLOAT BOX</p>	DRAWING NO.
			<b>18900A</b>
			PART NO.
			SCALE: ISOM.
			DATE: 7-17-68
			DR. BY: <i>J. M. ...</i>
		MAT'L	REQ.