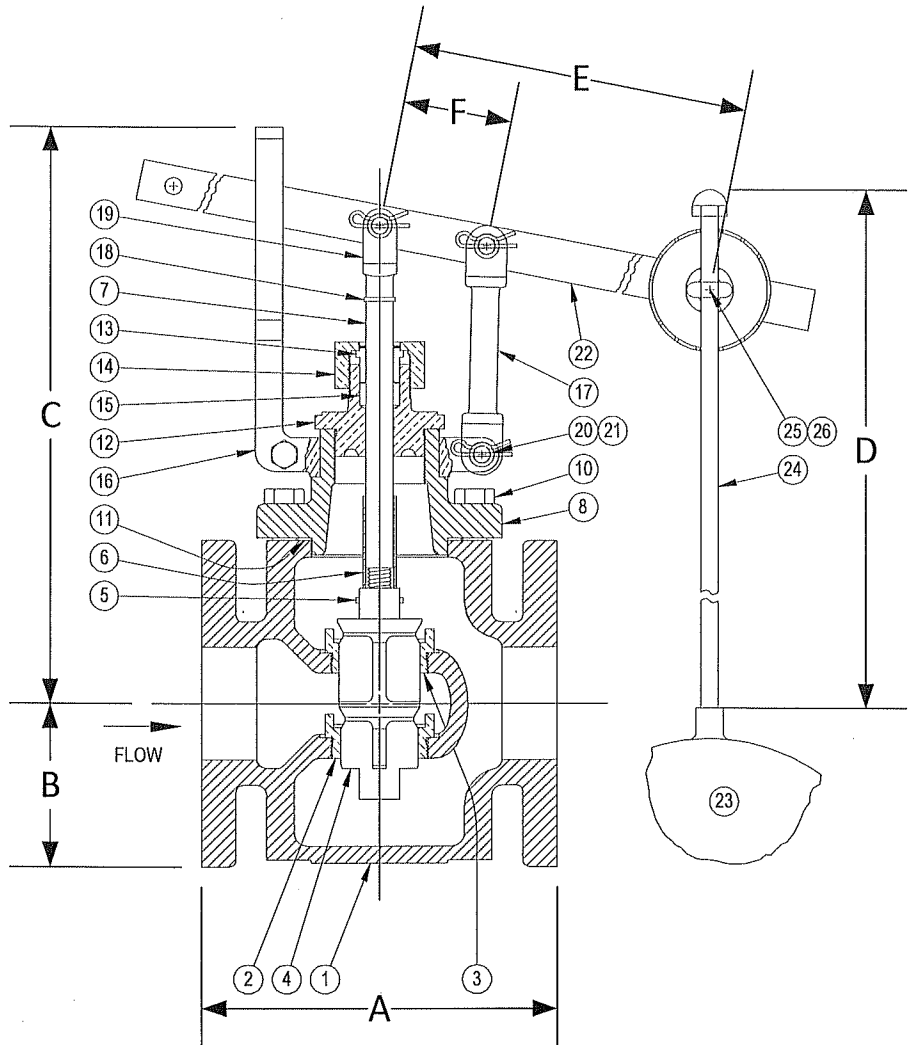


DRAWING NO.




PARTS LIST

Item	Description	Material
1	BODY	CAST IRON (ASTM A 126, CLASS B)
*2	SEAT BUSHING (SMALL - LOWER)	BRONZE (ASTM B 62, C83600)
*3	SEAT BUSHING (LARGER - UPPER)	BRONZE (ASTM B 62, C83600)
*4	MAIN VALVE	BRONZE (ASTM B 62, C83600)
*5	SPACER	BRASS
6	ROLL PIN	STAINLESS STEEL
*7	VALVE STEM	BRASS
8	TOP CAP	CAST IRON (ASTM A 126, CLASS B)
9		
10	CAP SCREW(S)	STEEL
*11	GASKET	FIBER
12	PACKING BOX (BONNET)	BRONZE (ASTM B 62, C83600)
13	PACKING GLAND	BRONZE (ASTM B 62, C83600)
14	PACKING NUT	BRONZE (ASTM B 62, C83600)
*15	PACKING	TEFLON
16	GUIDE YOKE	BRONZE (ASTM B 62, C83600)
17	GUIDE ARM	BRONZE (ASTM B 62, C83600)
18	CLEVIS LOCKWASHER	STEEL
19	STEM CLEVIS	BRONZE (ASTM B 62, C83600)
20	PIVOT PIN(S)	STEEL
21	PIVOT PIN RETAINER(S)	STEEL
22	LEVER ASSEMBLY	STEEL
23	FLOAT BALL	STAINLESS STEEL (304)
24	FLOAT ROD	BRASS
25	ROD RETAINER	STEEL
26	ROD RETAINER NUT	STEEL

*Denotes parts included in the rebuild kit.

Size	DIMENSIONS								WEIGHT (lbs)
	A	B	C	D	E	F	Float Dia.	Max Inlet	
2	6-1/2	3	10-3/4	16	17-3/8	2	7	75	38
2-1/2	7-7/8	4-5/16	11-1/4	18	17-3/8	2	8	60	65
3	4-5/8	6-1/8	11-7/16	18	17-3/8	2	8	50	86
4	10-3/4	5-5/16	12-1/4	18	17-3/8	2	8	35	120
5	12	6-3/16	15-1/4	24	19-1/4	2-1/2	10	30	168
6	13	7-1/8	16	24	19-1/4	2-1/2	10	25	194
8	16-3/4	8-5/8	21-1/8	30	28	3	10	20	342
10	20-1/4	9-3/16	22-13/16	30	41	3	12	15	480
12	22-5/8	11-3/8	24-13/16	30	41	3	12	12	715

 3400 CLEVELAND SKOKIE ILLINOIS		DRAWING NO.
		PART NO.
DIMENSIONAL ASSEMBLY		SCALE: NTS
125Lb. Flange Type 27 Globe		DATE: 09/01/2011
Float Valve		DR. BY DSF
MAT'L: Iron Body / Bronze Trim	REQ. ---	