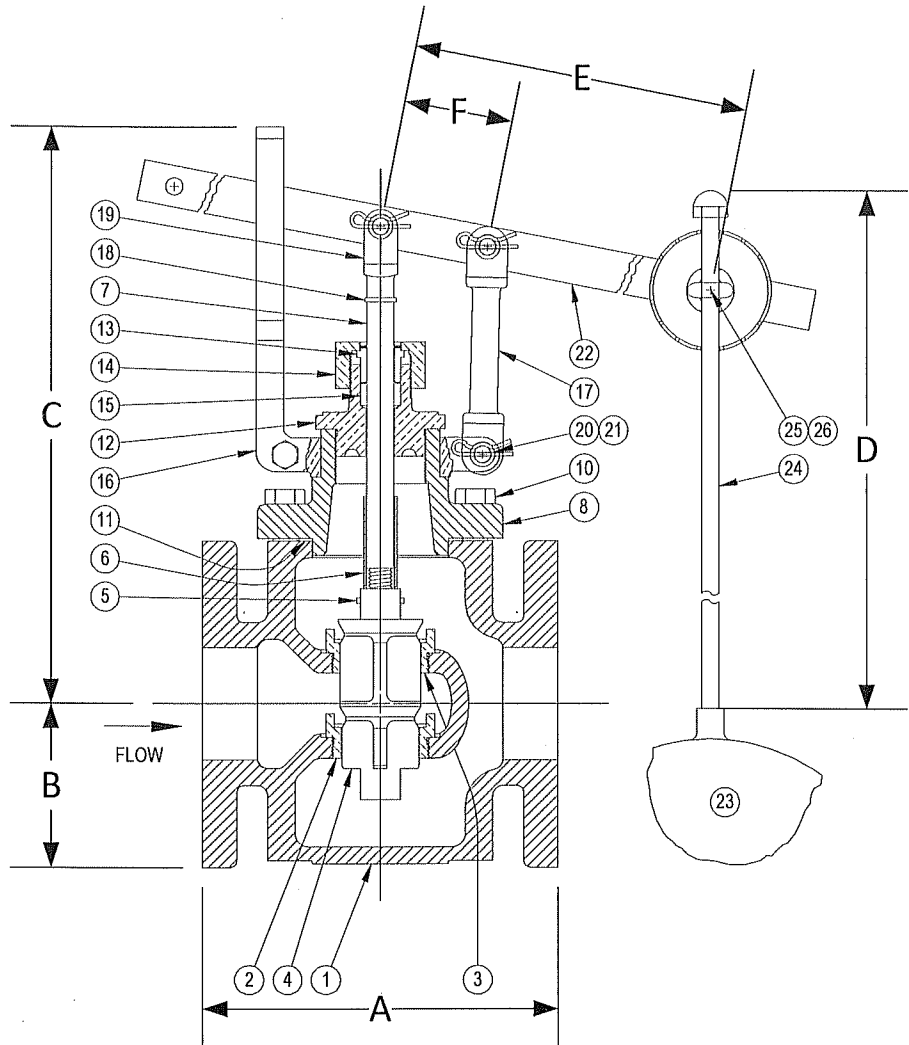


DRAWING NO.



PARTS LIST

Item	Description	Material
1	BODY	CAST BRONZE (ASTM B 62, C83600)
*2	SEAT BUSHING (SMALL - LOWER)	BRONZE (ASTM B 62, C83600)
*3	SEAT BUSHING (LARGER - UPPER)	BRONZE (ASTM B 62, C83600)
*4	MAIN VALVE	BRONZE (ASTM B 62, C83600)
*5	SPACER	BRASS
6	ROLL PIN	STAINLESS STEEL
*7	VALVE STEM	BRASS
8	TOP CAP	CAST BRONZE (ASTM B 62, C83600)
9		
10	CAP SCREW(S)	STEEL
*11	GASKET	FIBER
12	PACKING BOX (BONNET)	BRONZE (ASTM B 62, C83600)
13	PACKING GLAND	BRONZE (ASTM B 62, C83600)
14	PACKING NUT	BRONZE (ASTM B 62, C83600)
*15	PACKING	TEFLON
16	GUIDE YOKE	BRONZE (ASTM B 62, C83600)
17	GUIDE ARM	BRONZE (ASTM B 62, C83600)
18	CLEVIS LOCKWASHER	STEEL
19	STEM CLEVIS	CAST BRONZE (ASTM B 62, C83600)
20	PIVOT PIN(S)	STEEL
21	PIVOT PIN RETAINER(S)	STEEL
22	LEVER ASSEMBLY	CAST BRONZE (ASTM B 62, C83600)
23	FLOAT BALL	STAINLESS STEEL (304)
24	FLOAT ROD	BRASS
25	ROD RETAINER	STEEL
26	ROD RETAINER NUT	STEEL

*Denotes parts included in the rebuild kit.

Size	DIMENSIONS								WEIGHT (lbs)
	A	B	C	D	E	F	Float Dia.	Max Inlet (PSI)	
2	6-1/2	3	10-3/4	16	17-3/8	2	7	75	38
2-1/2	7-7/8	4-5/16	11-1/4	18	17-3/8	2	8	60	65
3	4-5/8	6-1/8	11-7/16	18	17-3/8	2	8	50	86



3400 CLEVELAND SKOKIE ILLINOIS

DRAWING NO.

DIMENSIONAL ASSEMBLY

PART NO.

150Lb. Flange Type 27 Globe

SCALE: NTS

Float Valve

DATE: 09/01/2011

MAT'L: Bronze Body / Bronze Trim

REQ. ---

DR. BY DSF