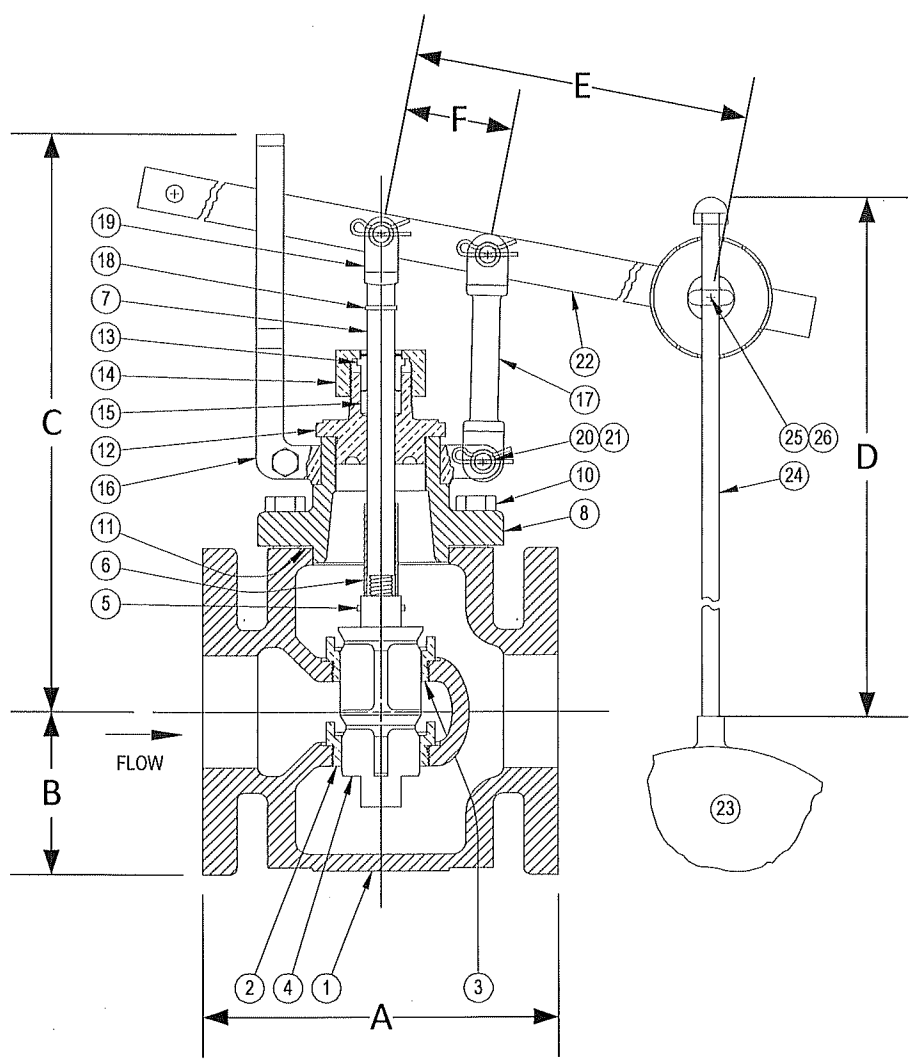


DRAWING NO.



PARTS LIST

Item	Description	Material
1	BODY	STAINLESS STEEL (ASTM A 351, GRADE CF8M)
*2	SEAT BUSHING (SMALL - LOWER)	STAINLESS STEEL (ASTM A 351, GRADE CF8M)
*3	SEAT BUSHING (LARGER - UPPER)	STAINLESS STEEL (ASTM A 351, GRADE CF8M)
*4	MAIN VALVE	STAINLESS STEEL (ASTM A 351, GRADE CF8M)
*5	SPACER	STAINLESS STEEL
6	ROLL PIN	STAINLESS STEEL
*7	VALVE STEM	STAINLESS STEEL
8	TOP CAP	STAINLESS STEEL (ASTM A 351, GRADE CF8M)
9		
10	CAP SCREW(S)	STAINLESS STEEL
*11	GASKET	FIBER
12	PACKING BOX (BONNET)	STAINLESS STEEL (ASTM A 351, GRADE CF8M)
13	PACKING GLAND	STAINLESS STEEL (ASTM A 351, GRADE CF8M)
14	PACKING NUT	STAINLESS STEEL (ASTM A 351, GRADE CF8M)
*15	PACKING	TEFLON
16	GUIDE YOKE	STAINLESS STEEL (ASTM A 351, GRADE CF8M)
17	GUIDE ARM	STAINLESS STEEL (ASTM A 351, GRADE CF8M)
18	CLEVIS LOCKWASHER	STAINLESS STEEL
19	STEM CLEVIS	STAINLESS STEEL (ASTM A 351, GRADE CF8M)
20	PIVOT PIN(S)	STAINLESS STEEL
21	PIVOT PIN RETAINER(S)	STAINLESS STEEL
22	LEVER ASSEMBLY	STAINLESS STEEL (ASTM A 351, GRADE CF8M)
23	FLOAT BALL	STAINLESS STEEL (304)
24	FLOAT ROD	STAINLESS STEEL
25	ROD RETAINER	STAINLESS STEEL
26	ROD RETAINER NUT	STAINLESS STEEL

*Denotes parts included in the rebuild kit.

Size	DIMENSIONS								WEIGHT (lbs)
	A	B	C	D	E	F	Float Dia.	Max Inlet (PSI)	
2	6-1/2	3	10-3/4	16	17-3/8	2	7	75	38
2-1/2	7-7/8	4-5/16	11-1/4	18	17-3/8	2	8	60	65
3	4-5/8	6-1/8	11-7/16	18	17-3/8	2	8	50	86

KECKLEY		DRAWING NO.
3400 CLEVELAND SKOKIE ILLINOIS		
DIMENSIONAL ASSEMBLY		PART NO.
150Lb. Flange Type 27 Globe		SCALE: NTS
Float Valve		DATE: 09/01/2011
MAT'L: SS Body / SS Trim	REQ. ---	DR. BY DSF