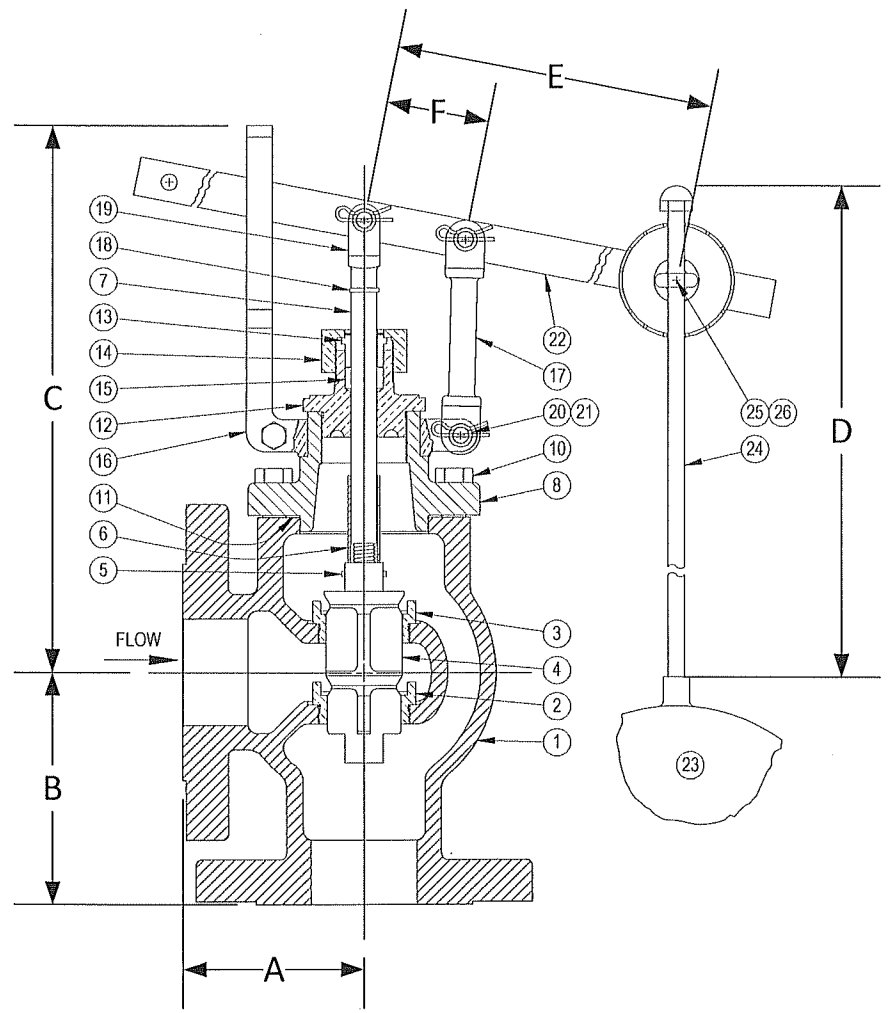


DRAWING NO.




PARTS LIST

Item	Description	Material
1	BODY	CAST IRON (ASTM A 126, CLASS B)
*2	SEAT BUSHING (SMALL - LOWER)	STAINLESS STEEL
*3	SEAT BUSHING (LARGER - UPPER)	STAINLESS STEEL
*4	MAIN VALVE	STAINLESS STEEL
*5	SPACER	STAINLESS STEEL
6	ROLL PIN	STAINLESS STEEL
*7	VALVE STEM	STAINLESS STEEL
8	TOP CAP	CAST IRON (ASTM A 126, CLASS B)
9		
10	CAP SCREW(S)	STEEL
*11	GASKET	FIBER
12	PACKING BOX (BONNET)	BRONZE (ASTM B 62, C83600)
13	PACKING GLAND	BRONZE (ASTM B 62, C83600)
14	PACKING NUT	BRONZE (ASTM B 62, C83600)
*15	PACKING	TEFLON
16	GUIDE YOKE	BRONZE (ASTM B 62, C83600)
17	GUIDE ARM	BRONZE (ASTM B 62, C83600)
18	CLEVIS LOCKWASHER	STEEL
19	STEM CLEVIS	BRONZE (ASTM B 62, C83600)
20	PIVOT PIN(S)	STEEL
21	PIVOT PIN RETAINER(S)	STEEL
22	LEVER ASSEMBLY	STEEL
23	FLOAT BALL	STAINLESS STEEL (304)
24	FLOAT ROD	BRASS
25	ROD RETAINER	STEEL
26	ROD RETAINER NUT	STEEL

Size	DIMENSIONS								WEIGHT (lbs)
	A	B	C	D	E	F	Float Dia.	Max Inlet (PSI)	
2	3-1/2	4-1/2	10-3/4	16	17-3/8	2	7	75	42
2-1/2	4-3/8	6-3/16	11-1/4	18	17-3/8	2	8	60	75
3	5	6-1/8	11-7/16	18	17-3/8	2	8	50	100
4	5-11/16	7-1/4	12-1/4	18	17-3/8	2	8	35	137
5	7-1/16	7-1/16	15-1/4	24	19-1/4	2-1/2	10	30	190
6	6-15/16	8-7/8	16	24	19-1/4	2-1/2	10	25	229
8	8-7/8	8-7/8	21-1/8	30	28	3	10	20	409
10	10-15/16	10-15/16	22-13/16	30	41	3	12	15	572
12	12-5/8	12-5/8	24-13/16	30	41	3	12	12	853

\*Denotes parts included in the rebuild kit.

		DRAWING NO.
3400 CLEVELAND      SKOKIE ILLINOIS		
DIMENSIONAL ASSEMBLY		PART NO.
250lb. Flange Type 27 Angle		SCALE: NTS
Float Valve		DATE: 09/01/2011
MAT'L: Iron Body / SS Trim	REQ. ---	DR. BY DSF