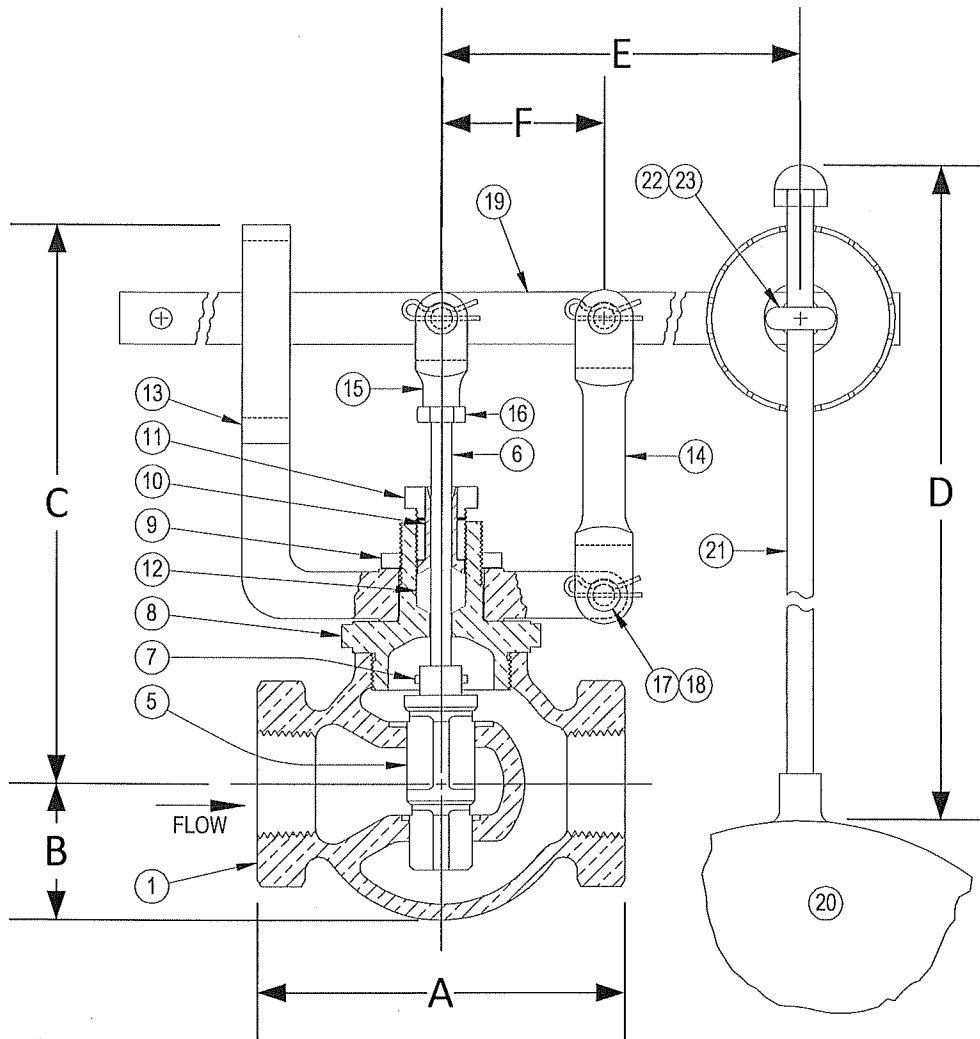


DRAWING NO.



PARTS LIST

Item	Description	Material
1	BODY	CAST BRONZE (ASTM B 62, C83600)
2		
3		
4		
5	INNER VALVE	BRONZE (ASTM B 62, C83600)
*6	VALVE STEM	BRASS
*7	ROLL PIN	STAINLESS STEEL
8	PACKING BOX (BONNET)	BRONZE (ASTM B 62, C83600)
9	YOKE LOCKNUT	BRONZE (ASTM B 62, C83600)
10	PACKING GLAND	BRASS
11	PACKING NUT	BRASS
*12	PACKING	TEFLON
13	GUIDE YOKE	BRONZE (ASTM B 62, C83600)
14	GUIDE ARM	BRONZE (ASTM B 62, C83600)
15	STEM CLEVIS	BRONZE (ASTM B 62, C83600)
16	CLEVIS LOCKNUT	BRASS
17	PIVOT PIN(S)	STEEL
18	PIVOT PIN RETAINER(S)	STEEL
19	LEVER ASSEMBLY	STEEL
20	FLOAT BALL	STAINLESS STEEL (304)
21	FLOAT ROD	BRASS
22	ROD RETAINER	STEEL
23	ROD RETAINER NUT	STEEL

*Denotes parts included in the rebuild kit.

Size	DIMENSIONS							WEIGHT (lbs)	
	A	B	C	D	E	F	Float Dia.		
1/2	4	1-1/2	6-1/8	16	13-11/16	1-15/16	7	150	10
3/4	4	1-1/2	6-1/8	16	13-11/16	1-15/16	7	150	10
1	4-3/8	1-5/8	6-5/16	16	13-11/16	1-15/16	7	150	13
1-1/4	4-1/2	1-3/4	6-3/4	16	13-11/16	1-15/16	7	120	14
1-1/2	4-1/2	1-3/4	6-3/4	16	13-11/16	1-15/16	7	120	14

KECKLEY

3400 CLEVELAND SKOKIE ILLINOIS

DRAWING NO.

DIMENSIONAL ASSEMBLY

PART NO.

250Lb. Threaded Type 27 Globe

SCALE: NTS

Float Valve

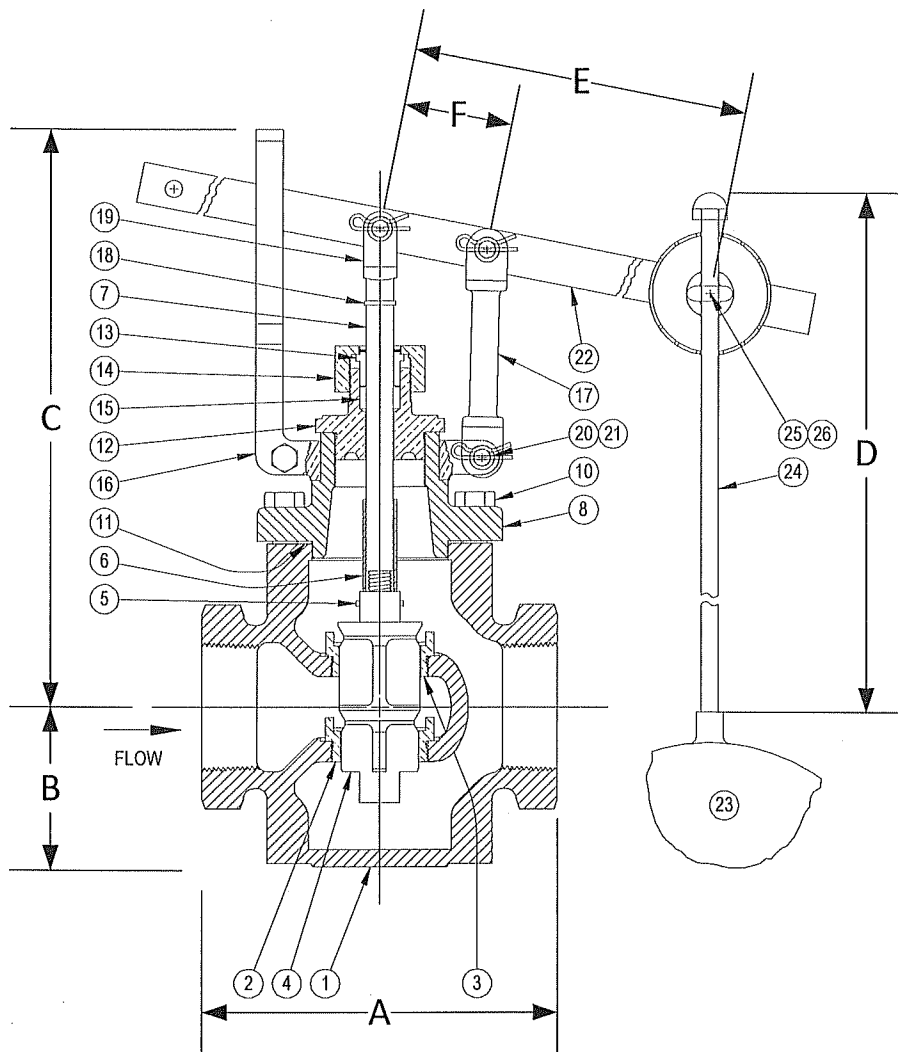
DATE: 09/01/2011

MAT'L: Bronze Body / Bronze Trim

REQ. ---

DR. BY DSF

DRAWING NO.



PARTS LIST

Item	Description	Material
1	BODY	CAST BRONZE (ASTM B 62, C83600)
*2	SEAT BUSHING (SMALL - LOWER)	BRONZE (ASTM B 62, C83600)
*3	SEAT BUSHING (LARGER - UPPER)	BRONZE (ASTM B 62, C83600)
*4	MAIN VALVE	BRONZE (ASTM B 62, C83600)
*5	SPACER	BRASS
6	ROLL PIN	STAINLESS STEEL
*7	VALVE STEM	BRASS
8	TOP CAP	CAST BRONZE (ASTM B 62, C83600)
9		
10	CAP SCREW(S)	BRASS
*11	GASKET	FIBER
12	PACKING BOX (BONNET)	BRONZE (ASTM B 62, C83600)
13	PACKING GLAND	BRONZE (ASTM B 62, C83600)
14	PACKING NUT	BRONZE (ASTM B 62, C83600)
*15	PACKING	TEFLON
16	GUIDE YOKE	BRONZE (ASTM B 62, C83600)
17	GUIDE ARM	BRONZE (ASTM B 62, C83600)
18	CLEVIS LOCKWASHER	STEEL
19	STEM CLEVIS	BRONZE (ASTM B 62, C83600)
20	PIVOT PIN(S)	STEEL
21	PIVOT PIN RETAINER(S)	STEEL
22	LEVER ASSEMBLY	BRONZE (ASTM B 62, C83600)
23	FLOAT BALL	STAINLESS STEEL (304)
24	FLOAT ROD	BRASS
25	ROD RETAINER	STEEL
26	ROD RETAINER NUT	STEEL

*Denotes parts included in the rebuild kit.

Size	DIMENSIONS								WEIGHT (lbs)
	A	B	C	D	E	F	Float Dia.	Max Inlet	
(in)	(in)	(in)	(in)	(in)	(in)	(in)	(in)	(PSI)	
2	6-1/2	3	10-3/4	16	17-3/8	2	7	75	29
2-1/2	7-7/8	4-5/16	11-1/4	18	17-3/8	2	8	60	45
3	4-5/8	6-1/8	11-7/16	18	17-3/8	2	8	50	67

KECKLEY

3400 CLEVELAND SKOKIE ILLINOIS

DRAWING NO.

DIMENSIONAL ASSEMBLY

PART NO.

250lb. Threaded Type 27 Globe

SCALE: NTS

Float Valve

DATE: 09/01/2011

MAT'L: Bronze Body / Bronze Trim

REQ. ---

DR. BY DSF