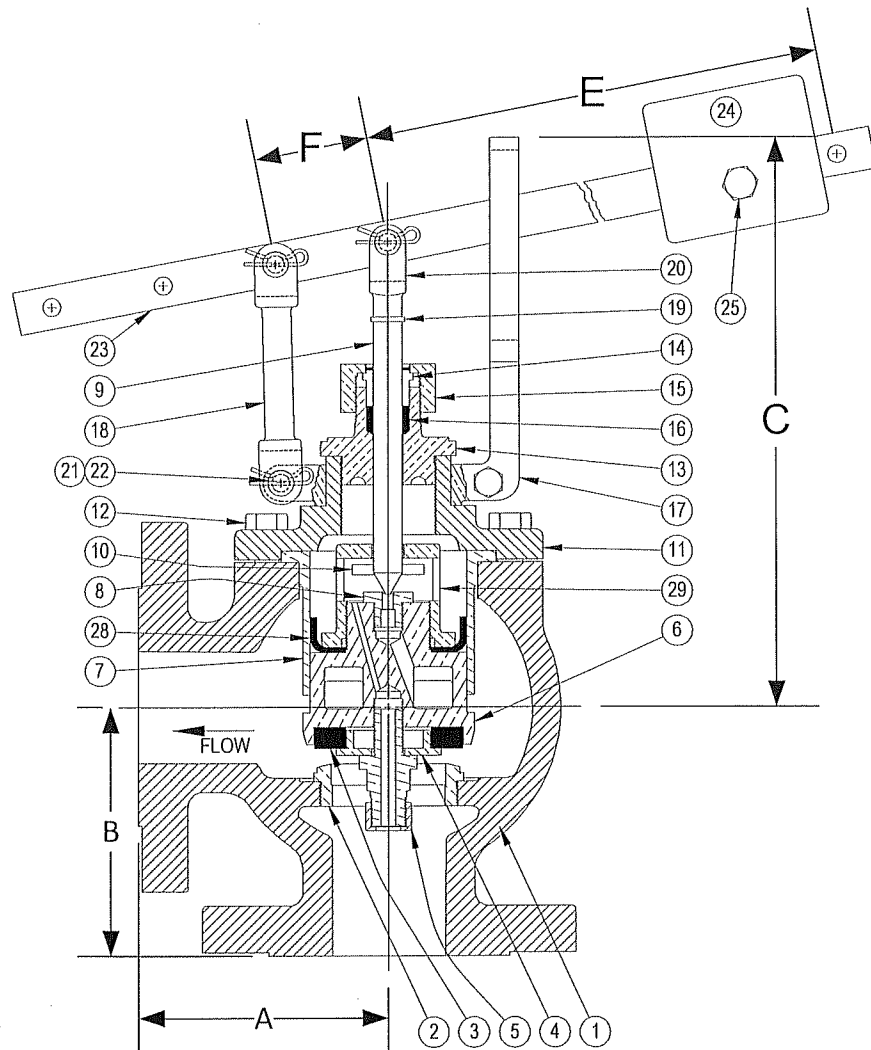


DRAWING NO.



PARTS LIST

Item	Description	Material
1	BODY	CAST IRON (ASTM A 126, CLASS B)
*2	SEAT BUSHING	BRONZE (ASTM B 62, C83600)
*13	VALVE DISC	NITRILE
4	DISC PLATE	BRONZE
5	DISC PLATE SCREW & STRAINER ASS'Y	BRASS
6	INNER VALVE	BRONZE (ASTM B 62, C83600)
7	CYLINDER	BRONZE (ASTM B 62, C83600)
*8	PORT STUD	BRONZE (ASTM B 62, C83600)
*9	VALVE STEM	STAINLESS STEEL
*10	ROLL PIN	STAINLESS STEEL
11	TOP CAP	CAST IRON (ASTM A 126, CLASS B)
12	CAP SCREW(S)	STEEL
13	PACKING BOX (BONNET)	BRONZE (ASTM B 62, C83600)
14	PACKING GLAND	BRONZE (ASTM B 62, C83600)
15	PACKING NUT	BRONZE (ASTM B 62, C83600)
*16	PACKING	TEFLON
17	GUIDE YOKE	BRONZE (ASTM B 62, C83600)
18	GUIDE ARM	BRONZE (ASTM B 62, C83600)
19	CLEVIS LOCKWASHER	STEEL
20	STEM CLEVIS	BRONZE (ASTM B 62, C83600)
21	PIVOT PIN(S)	STEEL
22	PIVOT PIN RETAINER(S)	STEEL
23	LEVER	STEEL
24	WEIGHT	STEEL
25	SET SCREW	STEEL
*28	LEATHER CUP	LEATHER
29	LEATHER CUP LOCK NUT	BRONZE

\*Denotes parts included in the rebuild kit.

†Suitable for temperatures up to 125°F. For temperature ranges above 125°F, contact Keckley.

Size	DIMENSIONS						WEIGHT (lbs)
	A	B	C	E	F	Max Inlet (PSI)	
(in)	(in)	(in)	(in)	(in)	(in)		
2	4-3/8	4-3/8	10-1/16	14-3/4	2	250	56
2-1/2	5-1/16	5-1/16	10-3/8	14-3/4	2	250	72
3	5-5/8	5-5/8	11-1/8	14-3/4	2	250	110
4	6-7/16	6-7/16	11-1/2	14-3/4	2	250	140
5	7-11/16	7-11/16	14-1/4	18-1/2	2-1/2	250	195
6	8-9/16	8-9/16	15-1/2	18-1/2	2-1/2	250	240
8	9-5/8	9-5/8	20-3/4	21	3	250	445

**KECKLEY**

3400 CLEVELAND SKOKIE ILLINOIS

DRAWING NO.

DIMENSIONAL ASSEMBLY

PART NO.

250Lb. Flange Type 773 Angle

SCALE: NTS

Lever Valve

DATE: 09/01/2011

MAT'L: Iron Body / Bronze Trim

REQ. ---

DR. BY DSF