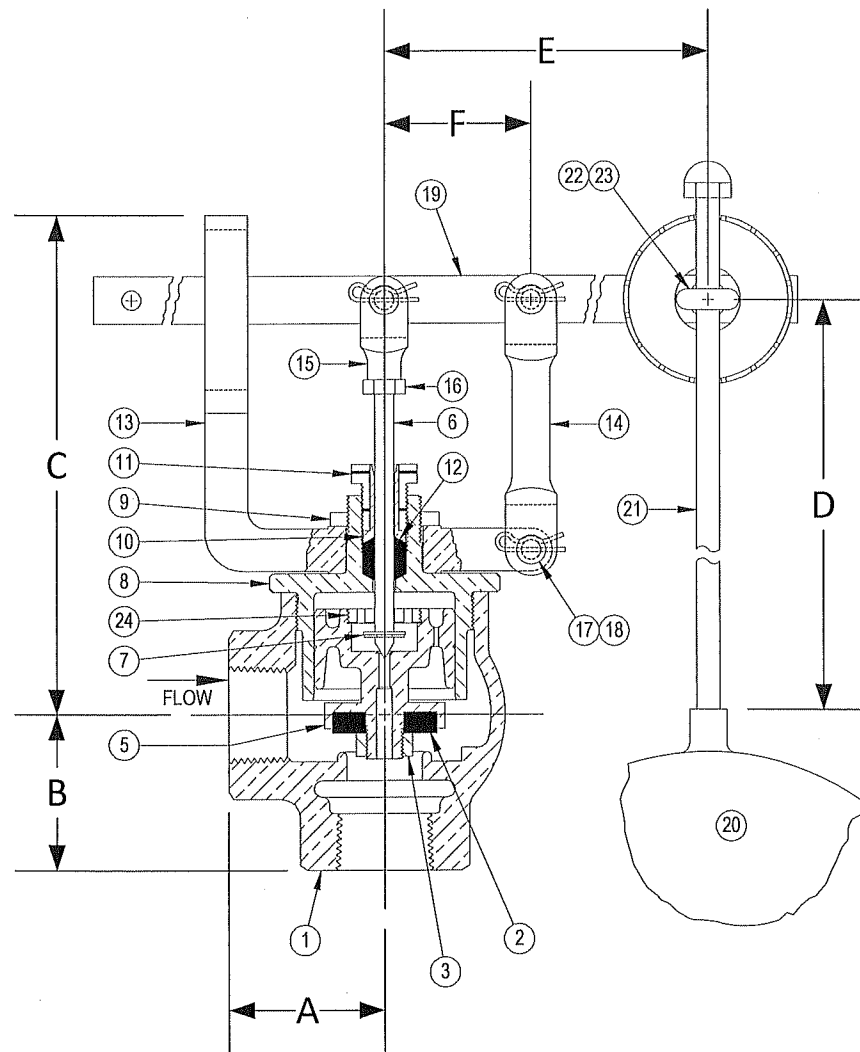


DRAWING NO.



PARTS LIST

Item	Description	Material
1	BODY	CAST BRONZE (ASTM B 62, C83600)
*2	VALVE DISC	NITRILE
3	DISC NUT	BRASS
4		
5	INNER VALVE	BRONZE (ASTM B 62, C83600)
*6	VALVE STEM	STAINLESS STEEL
*7	STEM SNAP RING	STAINLESS STEEL
8	BONNET (PACKING BOX)	BRONZE (ASTM B 62, C83600)
9	YOKE LOCKNUT	BRONZE (ASTM B 62, C83600)
10	PACKING GLAND	BRASS
11	PACKING NUT	BRASS
*12	PACKING	TEFLON
13	GUIDE YOKE	BRONZE (ASTM B 62, C83600)
14	GUIDE ARM	BRONZE (ASTM B 62, C83600)
15	STEM CLEVIS	BRONZE (ASTM B 62, C83600)
16	CLEVIS LOCKNUT	BRONZE (ASTM B 62, C83600)
17	PIVOT PINS	STEEL
18	PIVOT PIN RETAINERS	STEEL
19	LEVER ASSEMBLY	STEEL
20	FLOAT BALL	STEEL
21	FLOAT ROD	STEEL
22	ROD RETAINER	STEEL
23	ROD RETAINER NUT	STEEL
24	LIFT NUT	BRASS

*Denotes parts included in the rebuild kit.

†Suitable for temperatures up to 125°F.

Size	DIMENSIONS								WEIGHT (lbs)
	A (in)	B (in)	C (in)	D (in)	E (in)	F (in)	Float Dia. (in)	Max Inlet (PSI)	
1/2	2	2	6-5/16	16	13-11/16	1-15/16	7	130	11
3/4	2	2	6-5/16	16	13-11/16	1-15/16	7	130	11
1	2-1/16	2-1/16	6-5/8	16	13-11/16	1-15/16	7	100	13
1-1/4	2-1/8	2-1/8	6-5/8	16	13-11/16	1-15/16	7	80	14
1-1/2	2-1/2	2-1/2	6-7/8	16	13-11/16	1-15/16	7	65	14

KECKLEY

3400 CLEVELAND SKOKIE ILLINOIS

DIMENSIONAL ASSEMBLY

250Lb. Threaded Type 7 Angle

Float Valve

MAT'L: Bronze Body / Bronze Trim

REQ. ---

DRAWING NO.

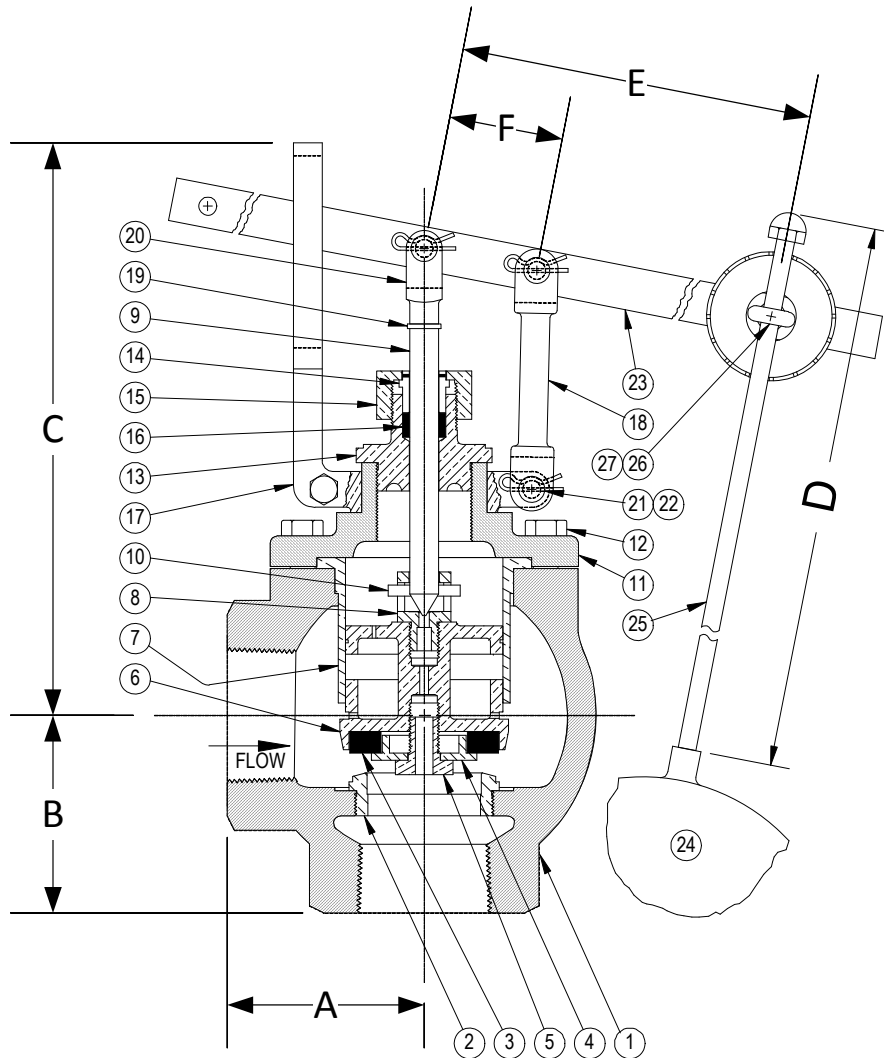
PART NO.

SCALE: NTS

DATE: 09/01/2011

DR. BY DSF

DRAWING NO.



Size	DIMENSIONS								WEIGHT (lbs)
	A	B	C	D	E	F	Float Dia.	Max Inlet	
(in)	(in)	(in)	(in)	(in)	(in)	(in)	(in)	(PSI)	
2	3-7/16	3-7/16	10-1/16	16	17-3/8	2	7	50	35

PARTS LIST

Item	Description	Material
1	BODY	CAST BRONZE (ASTM B 62, C83600)
*2	SEAT BUSHING	BRONZE (ASTM B 62, C83600)
*13	VALVE DISC	NITRILE
4	DISC PLATE	BRONZE
5	DISC PLATE SCREW	BRASS
6	INNER VALVE	BRONZE (ASTM B 62, C83600)
7	CYLINDER	BRONZE (ASTM B 62, C83600)
*8	PORT STUD	BRONZE (ASTM B 62, C83600)
*9	VALVE STEM	BRASS
*10	ROLL PIN	STAINLESS STEEL
11	TOP CAP	CAST BRONZE (ASTM B 62, C83600)
12	CAP SCREW(S)	STEEL
13	PACKING BOX (BONNET)	BRONZE (ASTM B 62, C83600)
14	PACKING GLAND	BRONZE (ASTM B 62, C83600)
15	PACKING NUT	BRONZE (ASTM B 62, C83600)
*16	PACKING	TEFLON
17	GUIDE YOKE	BRONZE (ASTM B 62, C83600)
18	GUIDE ARM	BRONZE (ASTM B 62, C83600)
19	CLEVIS LOCKWASHER	STEEL
20	STEM CLEVIS	BRONZE (ASTM B 62, C83600)
21	PIVOT PIN(S)	STEEL
22	PIVOT PIN RETAINER(S)	STEEL
23	LEVER ASSEMBLY	STEEL
24	FLOAT BALL	STAINLESS STEEL (304)
25	FLOAT ROD	BRASS
26	ROD RETAINER	STEEL
27	ROD RETAINER NUT	STEEL

*Denotes parts included in the rebuild kit.

†Suitable for temperatures up to 125°F.

3400 CLEVELAND

SKOKIE ILLINOIS

DRAWING NO.

DIMENSIONAL ASSEMBLY

PART NO.

250Lb. Threaded Type 7 Angle

SCALE: NTS

Float Valve

DATE: 11/01/2018

MAT'L: Bronze Body / Bronze Trim

REQ. ---

DR. BY DSF