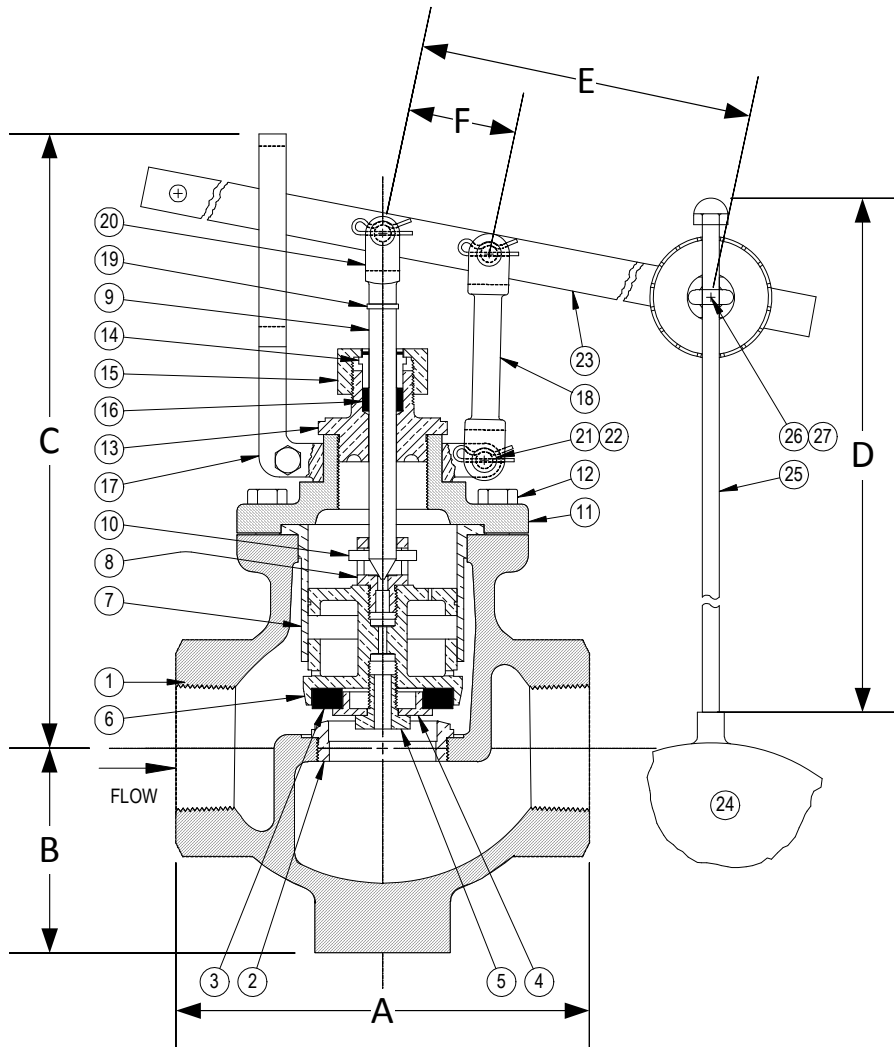


DRAWING NO.



PARTS LIST

| Item | Description | Material |
|------|-----------------------|---------------------------------|
| 1 | BODY | CAST IRON (ASTM A 126, CLASS B) |
| *2 | SEAT BUSHING | BRONZE (ASTM B 62, C83600) |
| *13 | VALVE DISC | NITRILE |
| 4 | DISC PLATE | BRONZE (ASTM B 62, C83600) |
| 5 | DISC PLATE SCREW | BRASS |
| 6 | INNER VALVE | BRONZE (ASTM B 62, C83600) |
| 7 | CYLINDER | BRONZE (ASTM B 62, C83600) |
| *8 | PORT STUD | BRONZE (ASTM B 62, C83600) |
| *9 | VALVE STEM | STAINLESS STEEL |
| *10 | ROLL PIN | STAINLESS STEEL |
| 11 | TOP CAP | CAST IRON (ASTM A 126, CLASS B) |
| 12 | CAP SCREW(S) | STEEL |
| 13 | PACKING BOX (BONNET) | BRONZE (ASTM B 62, C83600) |
| 14 | PACKING GLAND | BRONZE (ASTM B 62, C83600) |
| 15 | PACKING NUT | BRONZE (ASTM B 62, C83600) |
| *16 | PACKING | TEFLON |
| 17 | GUIDE YOKE | BRONZE (ASTM B 62, C83600) |
| 18 | GUIDE ARM | BRONZE (ASTM B 62, C83600) |
| 19 | CLEVIS LOCKWASHER | STEEL |
| 20 | STEM CLEVIS | BRONZE (ASTM B 62, C83600) |
| 21 | PIVOT PIN(S) | STEEL |
| 22 | PIVOT PIN RETAINER(S) | STEEL |
| 23 | LEVER ASSEMBLY | STEEL |
| 24 | FLOAT BALL | STAINLESS STEEL (304) |
| 25 | FLOAT ROD | BRASS |
| 26 | ROD RETAINER | STEEL |
| 27 | ROD RETAINER NUT | STEEL |

*Denotes parts included in the rebuild kit.

†Suitable for temperatures up to 125°F.

| Size | DIMENSIONS | | | | | | | | WEIGHT (lbs) |
|------|------------|-------|-------|------|--------|------|------------|--------------------|-----------------|
| | A | B | C | D | E | F | Float Dia. | Max Inlet (PSI) | |
| (in) | (in) | (in) | (in) | (in) | (in) | (in) | (in) | | |
| 2 | 7-5/8 | 3-5/8 | 7-3/8 | 16 | 17-3/8 | 2 | 7 | 50 | 35 |

3400 CLEVELAND

SKOKIE ILLINOIS

DRAWING NO.

DIMENSIONAL ASSEMBLY

PART NO.

250Lb. Threaded Type 7 Globe

SCALE: NTS

Float Valve

DATE: 11/01/2018

MAT'L: Iron Body / Bronze Trim

REQ. ---

DR. BY DSF