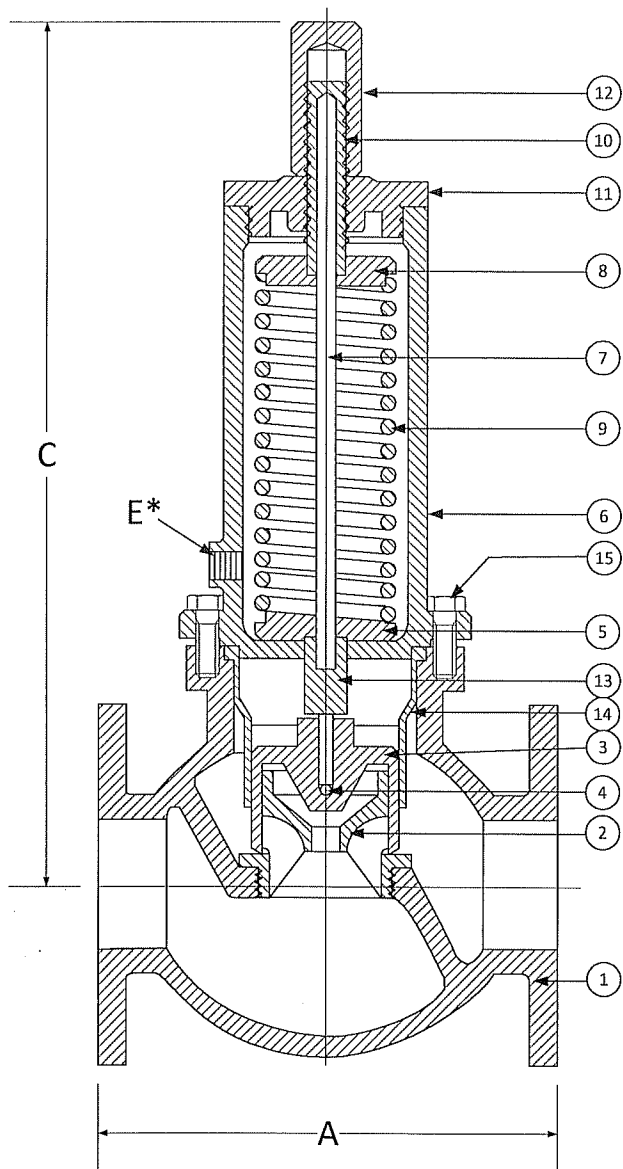


DRAWING NO.



## PARTS LIST

Item	Description	Material
1	BODY	CAST IRON (ASTM A 126, CLASS B)
2	SEAT	STAINLESS STEEL
3	CUP DISC	STAINLESS STEEL
4	BALL	STAINLESS STEEL (304)
5	BOTTOM SPRING PLATE	BRASS
6	SPRING HOUSING	CAST IRON (ASTM A 126, CLASS B)
7	STEM	STAINLESS STEEL (304)
8	TOP SPRING PLATE	BRASS
9	SPRING	STEEL
10	ADJUSTING SCREW	BRASS
11	COVER	BRONZE (ASTM B 62, C83600)
12	LOCKING CAP	BRASS
13	STEM HEAD	STAINLESS STEEL (304)
14*	SLEEVE	BRONZE (ASTM B 62, C83600)
15	HEX HEAD CAP SCREWS	CARBON STEEL

\*Optional Sleeve supplied. Specify at time of order.

SIZE	DIMENSIONS			WEIGHT
	A	C	E*	
2	8-1/4	14	1/4	52
2-1/2	9-1/2	19	3/8	65
3	10-1/2	19-7/8	3/8	85
4	12-1/4	23-1/4	1/2	120

\*Vent connection only available with sleeve option.

# KECKLEY

3400 CLEVELAND SKOKIE ILLINOIS

DRAWING NO.

DIMENSIONAL ASSEMBLY

PART NO.

Type 135 Back Pressure Valve

SCALE: NTS

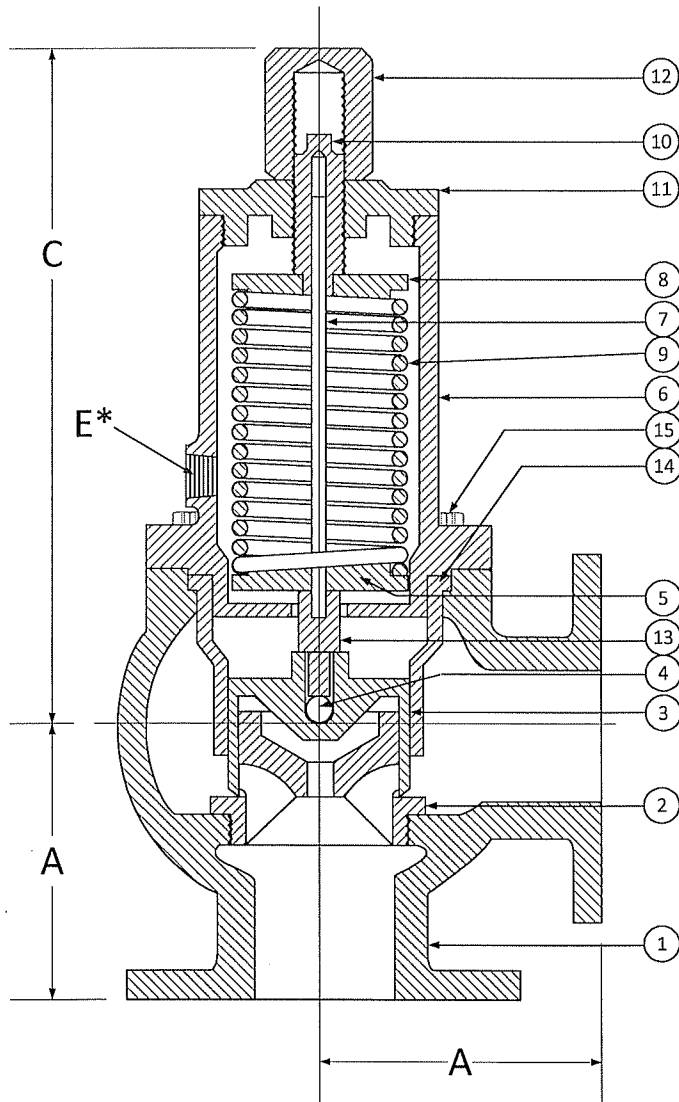
DATE: 09/01/2011

MAT'L: Iron Body / SS Trim

REQ. ---

DR. BY DSF

DRAWING NO.




PARTS LIST		
Item	Description	Material
1	BODY	CAST IRON (ASTM A 126, CLASS B)
2	SEAT	STAINLESS STEEL
3	CUP DISC	STAINLESS STEEL
4	BALL	STAINLESS STEEL (304)
5	BOTTOM SPRING PLATE	BRASS
6	SPRING HOUSING	CAST IRON (ASTM A 126, CLASS B)
7	STEM	STAINLESS STEEL (304)
8	TOP SPRING PLATE	BRASS
9	SPRING	STEEL
10	ADJUSTING SCREW	BRASS
11	COVER	BRONZE (ASTM B 62, C83600)
12	LOCKING CAP	BRASS
13	STEM HEAD	STAINLESS STEEL (304)
14*	SLEEVE	BRONZE (ASTM B 62, C83600)
15	HEX HEAD CAP SCREWS	CARBON STEEL

\*Optional Sleeve supplied. Specify at time of order.

SIZE	DIMENSIONS			WEIGHT
	A	C	E*	
2	4-1/8	13-1/4	1/4	52
2-1/2	4-3/4	16-3/4	3/8	65
3	5-1/4	17-3/4	3/8	85
4	6-1/8	20-1/4	1/2	120

\*Vent connection only available with sleeve option.

 3400 CLEVELAND SKOKIE ILLINOIS	DRAWING NO.
	PART NO.
DIMENSIONAL ASSEMBLY	SCALE: NTS
Type 135 Back Pressure Valve	DATE: 09/01/2011
MAT'L: Iron Body / SS Trim	DR. BY DSF
REQ. ---	