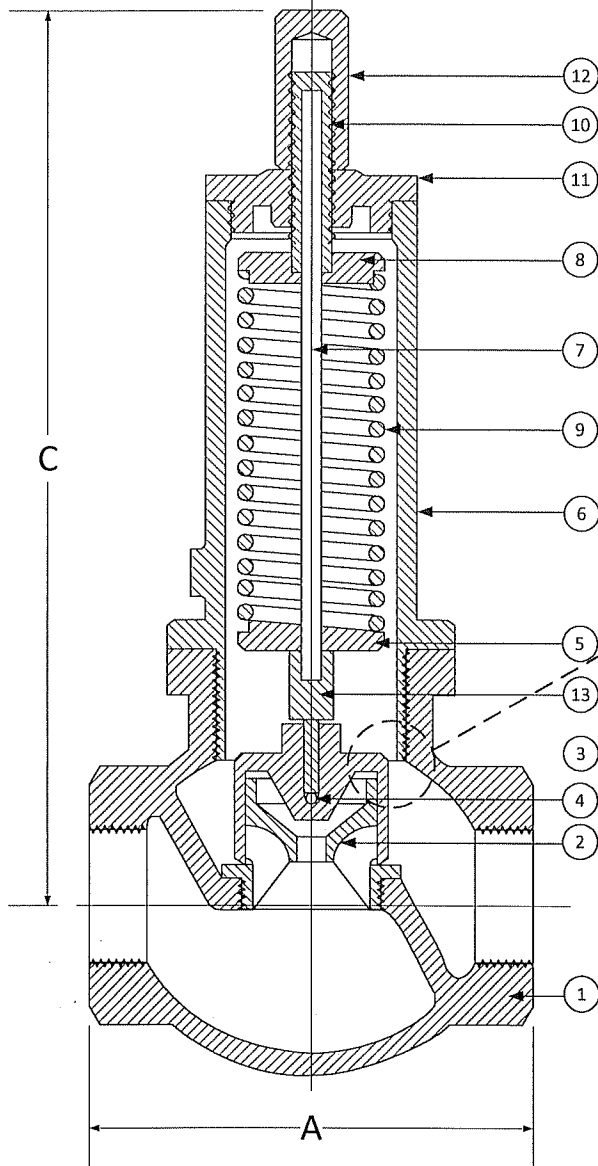
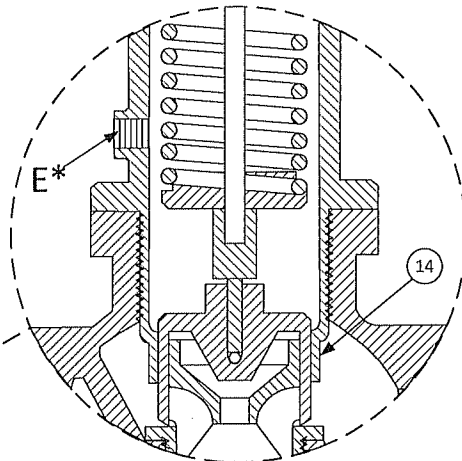


DRAWING NO.

Standard Unit Without Sleeve



Unit Furnished with Sleeve and Vent



PARTS LIST

Item	Description	Material
1	BODY	BRONZE (ASTM B 62, C83600)
2	SEAT	STAINLESS STEEL
3	CUP DISC	STAINLESS STEEL
4	BALL	STAINLESS STEEL (304)
5	BOTTOM SPRING PLATE	BRASS
6	SPRING HOUSING	BRONZE (ASTM B 62, C83600)
7	STEM	STAINLESS STEEL (304)
8	TOP SPRING PLATE	BRASS
9	SPRING	STEEL
10	ADJUSTING SCREW	BRASS
11	COVER	BRONZE (ASTM B 62, C83600)
12	LOCKING CAP	BRASS
13	STEM HEAD	STAINLESS STEEL (304)
14*	SLEEVE	BRONZE (ASTM B 62, C83600)

*Optional Sleeve supplied. Specify at time of order.

SIZE	DIMENSIONS			WEIGHT
	A	C	E*	
1/2	3	5-3/8	1/8	12
3/4	4	7-3/4	1/8	12
1	5	9-1/2	1/8	15
1-1/4	5-1/8	9-1/2	1/8	16
1-1/2	5-1/4	10	1/8	17

*Vent connection only available with sleeve option.

KECKLEY

3400 CLEVELAND SKOKIE ILLINOIS

DRAWING NO.

DIMENSIONAL ASSEMBLY

PART NO.

Type 135 Back Pressure Valve

SCALE: NTS

DATE: 09/01/2011

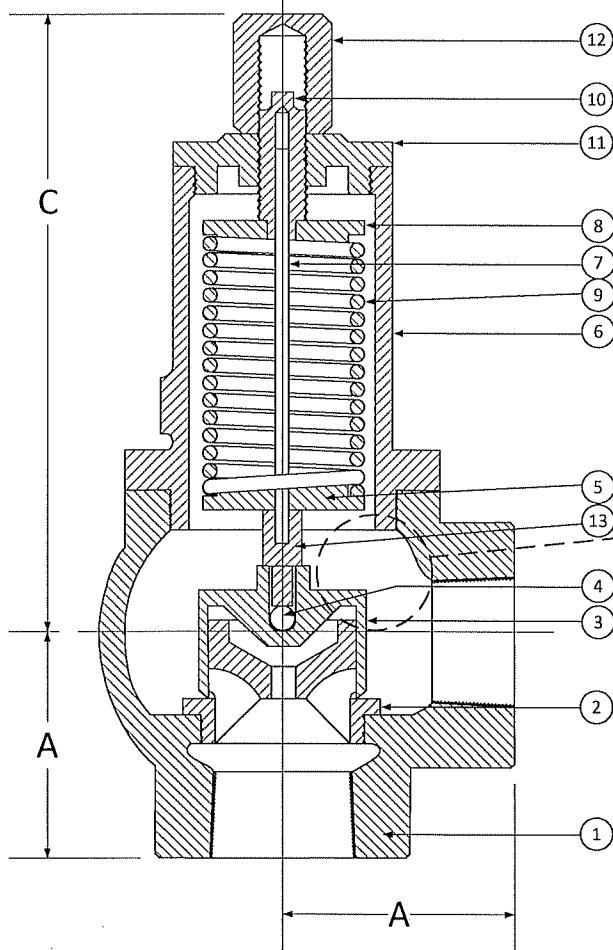
MAT'L: Bronze Body / SS Trim

REQ. ---

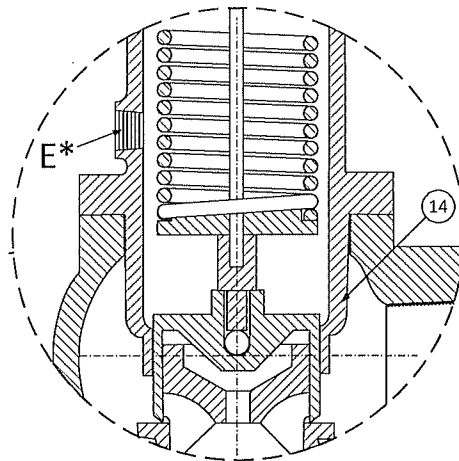
DR. BY DSF

DRAWING NO.

Standard Unit Without Sleeve



Unit Furnished with Sleeve and Vent



PARTS LIST

Item	Description	Material
1	BODY	BRONZE (ASTM B 62, C83600)
2	SEAT	STAINLESS STEEL
3	CUP DISC	STAINLESS STEEL
4	BALL	STAINLESS STEEL (304)
5	BOTTOM SPRING PLATE	BRASS
6	SPRING HOUSING	BRONZE (ASTM B 62, C83600)
7	STEM	STAINLESS STEEL (304)
8	TOP SPRING PLATE	BRASS
9	SPRING	STEEL
10	ADJUSTING SCREW	BRASS
11	COVER	BRONZE (ASTM B 62, C83600)
12	LOCKING CAP	BRASS
13	STEM HEAD	STAINLESS STEEL (304)
14*	SLEEVE	BRONZE (ASTM B 62, C83600)

*Optional Sleeve supplied. Specify at time of order.

SIZE	DIMENSIONS			WEIGHT
	A	C	E*	
1/2	1-1/2	4-7/8	1/8	12
3/4	2	6-3/4	1/8	12
1	2-1/16	8-3/4	1/8	15
1-1/4	2-1/8	8-1/2	1/8	16
1-1/2	2-1/2	8-7/8	1/8	17

*Vent connection only available with sleeve option.

KECKLEY

3400 CLEVELAND SKOKIE ILLINOIS

DRAWING NO.

DIMENSIONAL ASSEMBLY

PART NO.

Type 135 Back Pressure Valve

SCALE: NTS

DATE: 09/01/2011

MAT'L: Bronze Body / SS Trim

REQ. ---

DR. BY DSF