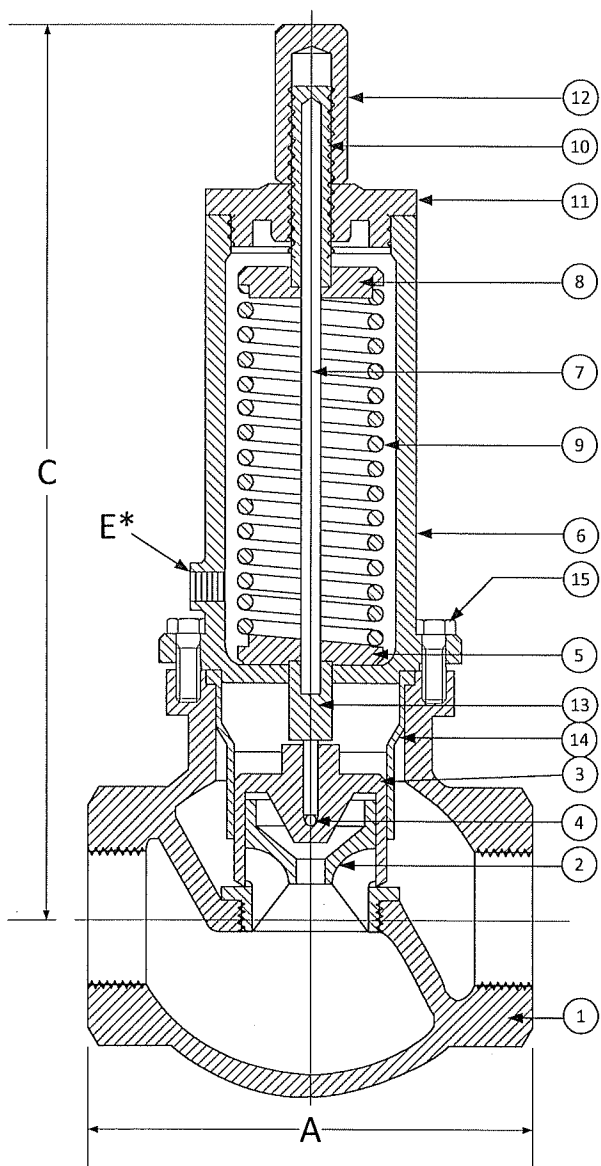


DRAWING NO.




PARTS LIST		
Item	Description	Material
1	BODY	CAST IRON (ASTM A 126, CLASS B)
2	SEAT	BRONZE (ASTM B 62, C83600)
3	CUP DISC	BRONZE (ASTM B 62, C83600)
4	BALL	STAINLESS STEEL (304)
5	BOTTOM SPRING PLATE	BRASS
6	SPRING HOUSING	CAST IRON (ASTM A 126, CLASS B)
7	STEM	STAINLESS STEEL (304)
8	TOP SPRING PLATE	BRASS
9	SPRING	STEEL
10	ADJUSTING SCREW	BRASS
11	COVER	BRONZE (ASTM B 62, C83600)
12	LOCKING CAP	BRASS
13	STEM HEAD	STAINLESS STEEL (304)
14*	SLEEVE	BRONZE (ASTM B 62, C83600)
15	HEX HEAD CAP SCREWS	CARBON STEEL

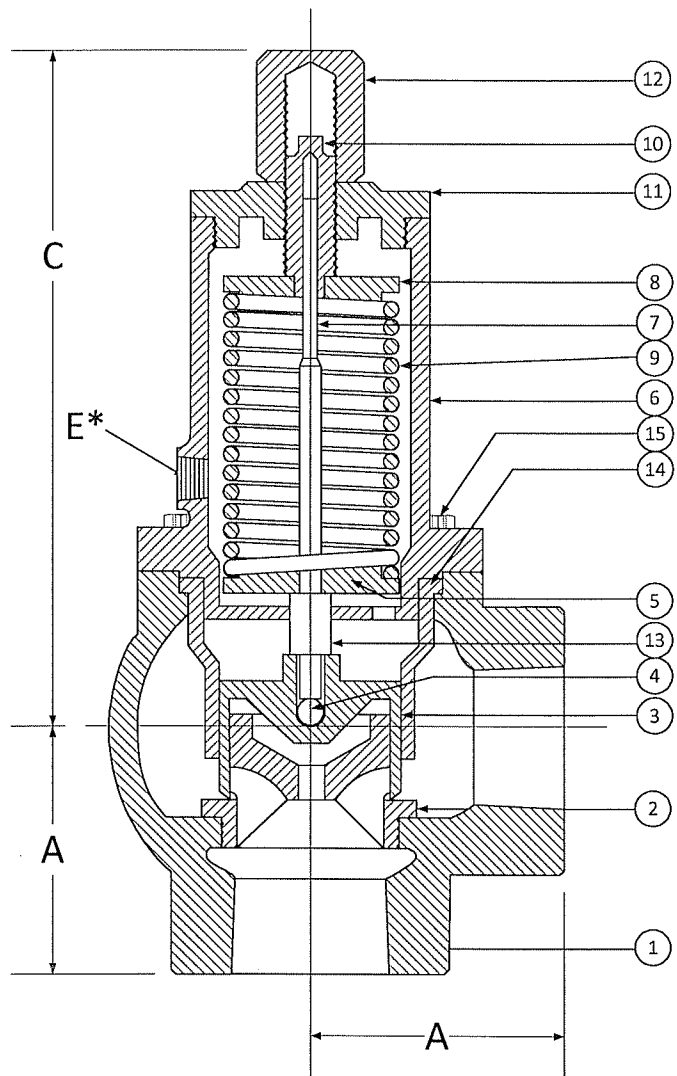
*Optional Sleeve supplied. Specify at time of order.

SIZE	DIMENSIONS			WEIGHT
	A	C	E*	
2	7-5/8	14	1/4	43
2-1/2	8-3/4	19	3/8	53
3	9-3/4	19-7/8	3/8	73

*Vent connection only available with sleeve option.

 3400 CLEVELAND SKOKIE ILLINOIS	DRAWING NO.
	PART NO.
DIMENSIONAL ASSEMBLY	SCALE: NTS
Type 135 Back Pressure Valve	DATE: 09/01/2011
MAT'L: Iron Body / Bronze Trim	DR. BY DSF
REQ. ---	

DRAWING NO.




PARTS LIST		
Item	Description	Material
1	BODY	CAST IRON (ASTM A 126, CLASS B)
2	SEAT	BRONZE (ASTM B 62, C83600)
3	CUP DISC	BRONZE (ASTM B 62, C83600)
4	BALL	STAINLESS STEEL (304)
5	BOTTOM SPRING PLATE	BRASS
6	SPRING HOUSING	CAST IRON (ASTM A 126, CLASS B)
7	STEM	STAINLESS STEEL (304)
8	TOP SPRING PLATE	BRASS
9	SPRING	STEEL
10	ADJUSTING SCREW	BRASS
11	COVER	BRONZE (ASTM B 62, C83600)
12	LOCKING CAP	BRASS
13	STEM HEAD	STAINLESS STEEL (304)
14*	SLEEVE	BRONZE (ASTM B 62, C83600)
15	HEX HEAD CAP SCREWS	CARBON STEEL

*Optional Sleeve supplied. Specify at time of order.

SIZE	DIMENSIONS			WEIGHT
	A	C	E*	
2	3-7/16	13-1/4	1/4	43
2-1/2	3-15/16	16-3/4	3/8	53
3	4-1/2	17-3/4	3/8	73

*Vent connection only available with sleeve option.

 3400 CLEVELAND SKOKIE ILLINOIS	DRAWING NO.
	PART NO.
DIMENSIONAL ASSEMBLY	SCALE: NTS
Type 135 Back Pressure Valve	DATE: 09/01/2011
MAT'L: Iron Body / Bronze Trim	DR. BY DSF
REQ. ---	