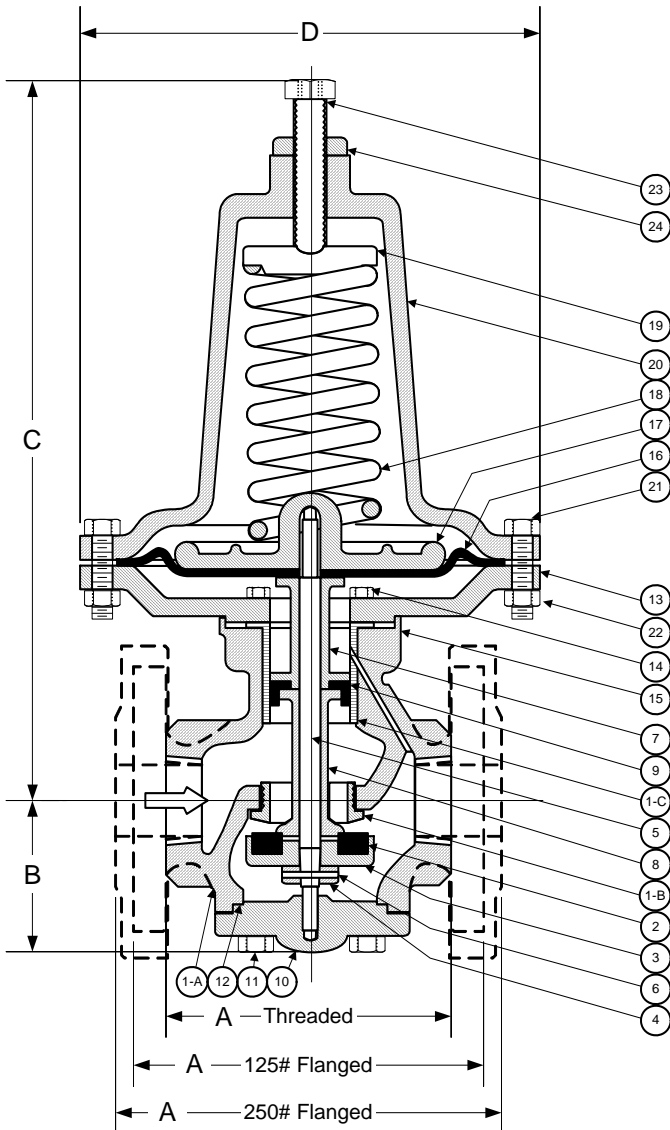


Type 700

Pressure Regulating Valve

Bronze Body and Trim, Single Seat – Tight Closing



PARTS LIST

ITEM	DESCRIPTION	MATERIAL	
1	▲ □ 1-A	BODY	BRONZE
	▲ □ * 1-B	SEAT	BRONZE
	▲ □ 1-C	CYLINDER	BRONZE
2*	DISC	NEOPRENE	
3	DISC HOLDER	BRASS	
4	DISC NUT	BRASS	
5	STEM	BRASS	
6	STEM ROLL PIN	STAINLESS STEEL	
7	TOP SPACER	BRASS	
8	BOTTOM SPACER	BRASS	
9*	LEATHER CUP	LEATHER	
10	BOTTOM CAP	BRONZE	
11	BOTTOM CAP BOLTS		
12*	BOTTOM CAP GASKET		
13▲	DIAPHRAGM CHAMBER	BRONZE	
14	DIAPHRAGM CHAMBER BOLTS	STEEL	
15*	DIAPHRAGM CHAMBER GASKET	RUBBER	
16*	DIAPHRAGM	RUBBER	
17	MUSHROOM	CAST IRON	
18	SPRING(S)	STEEL	
19	SPRING PLATE	CAST IRON	
20	SPRING HOUSING	CAST IRON	
21	HOUSING BOLTS	STEEL	
22	HOUSING NUTS	STEEL	
23	ADJUSTING SCREW	STEEL	
24	ADJUSTING SCREW NUT	STEEL PLATED	

*Denotes recommended spare parts.

▲ Denotes integral with body on 1/2" – 1"

□ Denotes integral with body on 1 1/4" – 1 1/2"

STANDARD SPRING RANGE

VALVE SIZE	SPRING RANGE
1/2" to 4"	8 to 30 PSI; 28 to 50 PSI; 45-75 PSI; 70-100 PSI

SIZE	DIMENSIONS						WEIGHT		
	A			B	C	D			
	Threaded	125 lb. Flg	250 lb. Flg				Threaded	125 lb. Flg	250 lb. Flg
in	in	in	in	in	in	in	lbs	lbs	lbs
1/2	3-3/4	--	--	1-7/8	9-5/8	5	16	--	--
3/4	3-3/4	--	--	1-7/8	9-5/8	5	16	--	--
1	4-1/4	--	--	2-3/8	10-3/16	6	20	--	--
1-1/4	4-1/2	--	--	2-11/16	13-7/16	8	30	--	--
1-1/2	5-1/4	--	--	2-7/8	14-1/8	8	40	--	--
2	8-7/8	7-1/2	8	3-1/2	14-3/4	8	55	60	65
2-1/2	9-1/2	9-1/2	10-1/8	4-7/8	18-3/8	9-1/8	140	150	155
3	11-1/2	10-1/2	11-1/4	6	24	12	210	225	240
4	--	11-1/4	11-7/8	6-1/2	24-11/16	12	--	270	290