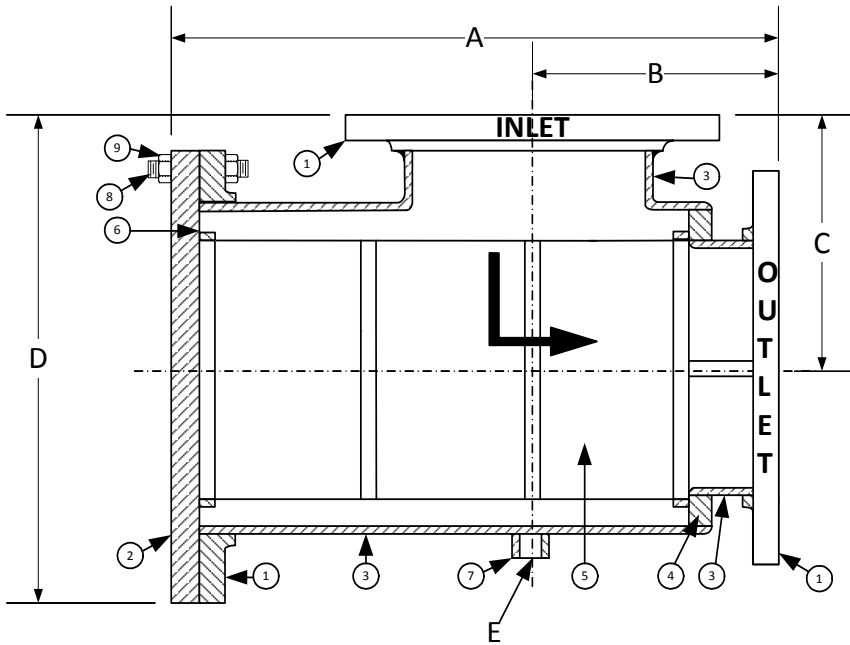


Style FPSD

Fabricated Suction Diffuser
 Carbon Steel & Stainless Steel
 150 lb. Flanged



PARTS LIST		
ITEM	DESCRIPTION	MATERIAL
1	SLIP ON FLANGE	CARBON STEEL (ASTM A 105)
2	BLIND FLANGE	CARBON STEEL (ASTM A 36)
3	PIPE	CARBON STEEL (ASTM A 53)
4	RING	CARBON STEEL (ASTM A 36)
5	SCREEN	STAINLESS STEEL (304)
6	GASKET	BUNA-N
7	DRAIN	CARBON STEEL (ASTM A 105)
8	STUDS	STEEL (ASTM A 193, GRADE B7)
9	NUTS	STEEL (ASTM A 194, GRADE 2H)

Fabricated to any combination of sizes.
 1" x 1" all the way up to 36" x 36"

SIZE		DIMENSIONS (in)				
Inlet Flange	Outlet Flange	A	B	C	D	E
1"	1"	--	--	--	--	--
--	--	--	--	--	--	--
--	--	--	--	--	--	--
--	--	--	--	--	--	--
--	--	--	--	--	--	--
--	--	--	--	--	--	--
--	--	--	--	--	--	--
--	--	--	--	--	--	--
36"	36"	--	--	--	--	--

Consult
Factory