

Style PSD

Suction Diffuser

Cast Iron (ASTM A 126, Class B)

Class 125 FF Flanged



Suction Diffuser

APPLICATIONS

The Keckley Style PSD mounts to the suction side of a pump in either a horizontal or vertical position. It is designed to remove any foreign matter that may be hazardous to the pump or other system components, while providing the proper flow conditions to the pump. Where space is limited, the Keckley Style PSD can be used as an elbow (in some cases a reducing elbow) with a built in strainer for easy maintenance and system performance.

CONSTRUCTION

The Keckley Style PSD Suction Diffusers are constructed from rugged cast iron castings that are machined to exacting specifications. These bodies have drilled flanges that are in accordance with ASME B16.1.

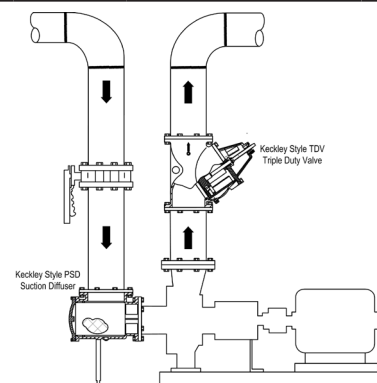
FEATURES

- Reduces installation costs by replacing the strainer, elbow, and entry pipe on the suction side of the pump.
- Integral straightening vanes ensure uniform flow to the suction inlet of the pump.
- Minimal pressure drop (Oversized body & screen).
- Perforated stainless steel screen with a 20 mesh stainless steel removable start-up sleeve to help promote a cleaner more trouble free system.
- Bolted cover plate with O-ring seal - standard. (Knobs available upon request).
- Cast supporting pads on the diffuser body offer easy mounting of standard I.D. support foot.
- Tapping for inlet and outlet differential connections - Optional.
- Drain connection with plug - standard.

WORKING PRESSURES - NON SHOCK

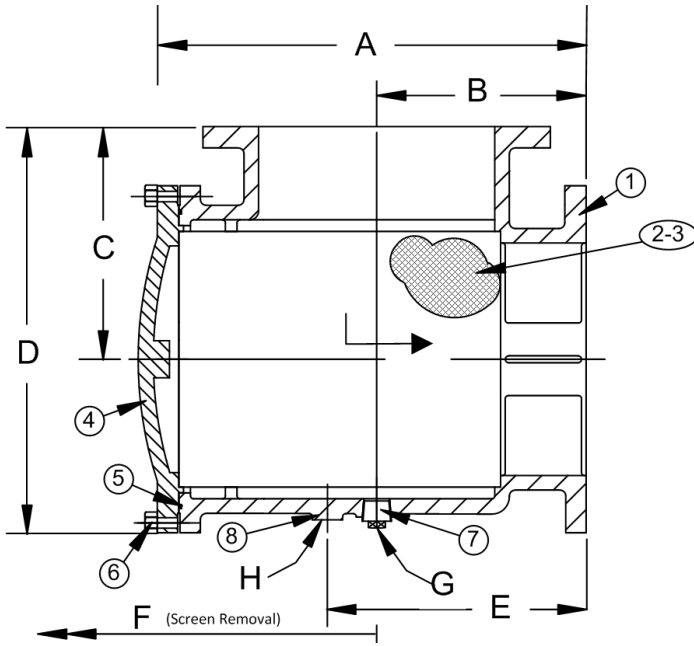
NOM. RATING	MEDIA	2" to 12"	14" and Larger
125# (Flanged)	W.O.G.	200 PSI @ 150°F	150 PSI @ 150°F

Typical Installation



Style PSD

**Suction Diffuser, Class 125 FF Flanged
Cast Iron (ASTM A 126, Class B)**



PARTS LIST		
ITEM	DESCRIPTION	MATERIAL
1	Body	Cast Iron (ASTM A 126, Class B)
2	Screen	Stainless Steel (304)
3	Mesh Sleeve*	Stainless Steel (304)
4	Cover	Cast Iron (ASTM A 126, Class B)
5	O-Ring	Buna-N
6	Hex Head Bolt†	Steel
7	Plug	Cast Carbon Steel
8	Stub	Cast Iron (ASTM A 126, Class B)

†Ductile Iron Knobs are available upon request.

SIZE	SCREEN PERFORATION	OPEN AREA
2" to 20"	1/8"	43%

*20 mesh stainless steel sleeves are provided with all Suction Diffusers for start-up applications.

Other meshes or screen perforations available upon request, consult factory.

SIZE Inlet x Outlet	A	B	C	D	E	F	G	H	WEIGHTS LBS.
						Screen Removal	Blow Down Connection	Pipe Support I.D.	
2 x 1-1/2	10	4-1/2	4-1/2	7	6	8-13/16	3/4	1.02	24
2 x 2	10	4-1/2	4-1/2	7	6	8-13/16	3/4	1.02	24
2-1/2 x 2	10-5/8	5	5	7-13/16	6-9/16	9-1/8	3/4	1.02	27
2-1/2 x 2-1/2	10-5/8	5	5	7-13/16	6-9/16	9-1/8	3/4	1.02	37
3 x 2	10	4-1/2	5-1/2	8-1/8	6	9-5/8	3/4	1.30	42
3 x 2-1/2	11-3/16	5-1/2	5-1/2	9	7	9-5/8	3/4	1.30	46
3 x 3	11-3/16	5-1/2	5-1/2	9	7	9-5/8	3/4	1.30	51
4 x 3	13-1/8	6-1/2	6-1/2	11	8-3/4	11-1/2	1	1.30	74
4 x 4	13	6-1/2	6-1/2	11	8-1/4	11-1/2	1	1.30	76
5 x 4	15-1/2	7-1/2	7-1/2	13	10	14-7/8	1	1.30	106
5 x 5	15-1/2	7-1/2	7-1/2	13-3/4	10	14-7/8	1	1.30	111
6 x 4	13-1/8	6-1/2	8	12-3/16	8-3/4	16-9/16	1	1.30	93
6 x 5	16-5/8	8	8	14-7/16	10-11/16	16-9/16	1	1.30	128
6 x 6	16-5/8	8	8	14-1/2	10-11/16	19-9/16	1	1.30	149
8 x 5	19-3/16	9	7-9/16	13-1/8	13	16-7/8	1	1.30	178
8 x 6	16-7/8	8	9	15-1/2	10-11/16	16-7/8	1	1.30	178
8 x 8	21-3/8	9	9	17-1/4	11-5/8	22-7/8	1-1/4	2.05	267
10 x 8	21-3/16	9	11	19-1/4	11-5/8	22-7/8	1-1/4	2.05	353
10 x 10	26-11/16	11	11	20-3/4	14-3/16	30-1/4	1-1/4	2.05	388
12 x 8	21-11/16	11	11	19-1/4	13-5/8	22-7/8	1-1/4	2.05	492
12 x 10	26-11/16	11	12	21-3/4	14-3/16	33	1-1/4	2.05	492
12 x 12	26-11/16	12	12	21-3/4	15-3/8	28-3/4	1-1/4	2.05	529
14 x 10	26-11/16	12-15/16	12-9/16	22-3/16	17-3/16	33	1-1/4	2.05	507
14 x 12	26-11/16	12-15/16	12-9/16	22-3/16	17-3/16	31	1-1/4	2.05	601
14 x 14	26-11/16	12-15/16	12-9/16	22-3/16	17-3/16	33-1/8	1-1/4	2.05	620
16 x 12	29-5/16	14-5/16	13-3/16	23-3/4	18-5/8	28-3/4	1-1/4	2.05	725
16 x 14	29-5/16	14-5/16	13-3/16	23-3/4	18-5/8	31	1-1/2	2.05	750
16 x 16	29-5/16	14-5/16	13-3/16	23-3/4	18-5/8	33-1/8	1-1/2	2.05	820
18 x 18	30-15/16	15-5/16	14-9/16	26-5/16	18-13/16	-	2	2.05	-
20 x 20	33-7/16	16-7/8	16	28-3/4	20-5/16	-	2	2.05	-

Larger sizes available upon request.

Certified dimensional drawings and metric drawings available upon request.

PRESSURE DROP CHART

Suction Diffuser (Styles PSD)

