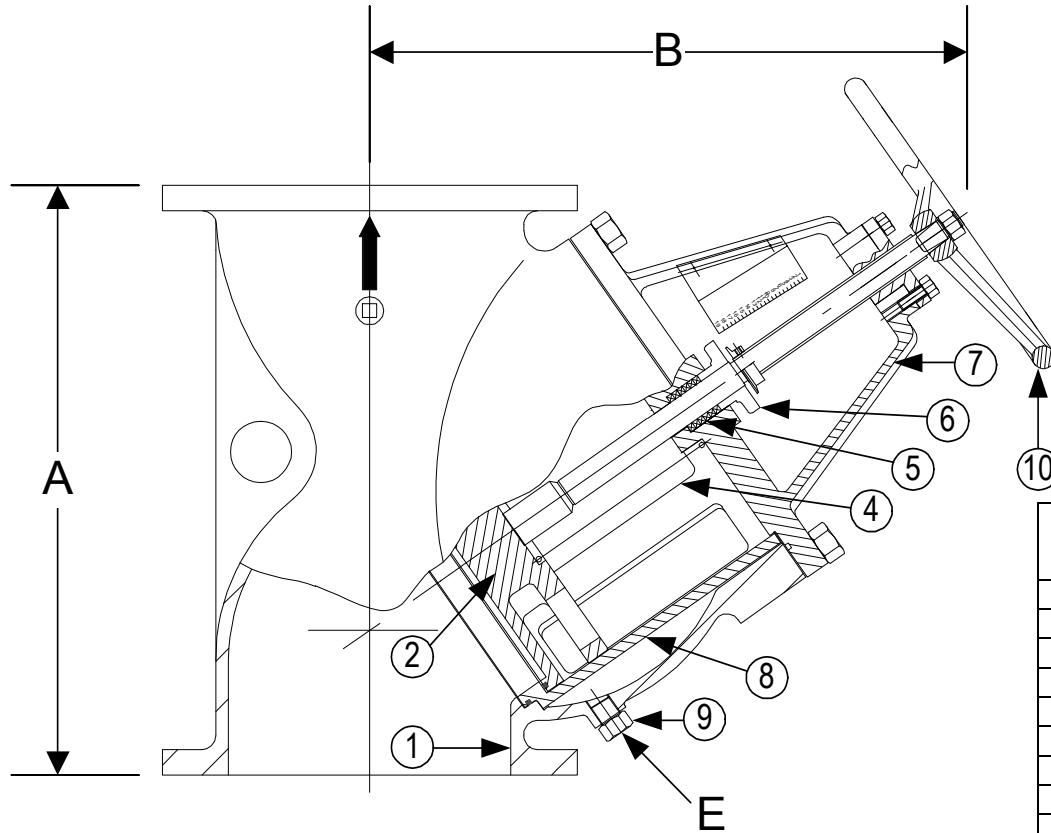


DRAWING NO.
TDV



PARTS LIST			
ITEM	PART NAME	QTY	MATERIAL
1	BODY	1	CAST IRON (ASTM A 126, CLASS B)
2	DISC	1	DUCTILE IRON W/ VULCANIZED RUBBER
3	STEM	1	410 STAINLESS STEEL
4	SPRING	1	316 STAINLESS STEEL
5	PACKING	6	NON-ASBESTOS
6	GLAND	1	DUCTILE IRON
7	COVER	1	CAST IRON (ASTM A 126, CLASS B)
8	GUIDE	1	CARBON STEEL
9	PLUG	1	CARBON STEEL
10	HANDWHEEL	1	CAST IRON (ASTM A 126, CLASS B)
	O-RINGS		BUNA-N

SIZE	DIMENSIONS			WEIGHTS
	A	B	E	
in	in	in	in	lbs
2	8-3/8	9-5/8	1/2	28
2-1/2	9-7/8	10	1/2	33
3	10	10-1/8	1/2	57
4	14-1/2	12-5/8	1/2	98
5	16	16-3/8	1/2	157
6	18	17-1/2	3/4	196
8	21-1/2	18-1/2	3/4	348
10	25-1/2	21-3/4	1	475
12	30	24-1/2	1	656
14	30-3/8	24-1/2	3/4	787
16	33-13/16	34-11/16	2	--
18	36-15/16	40-15/16	2	--
20	41-3/8	Consult Factory		

Certified dimensional drawings are available upon request.

†This table reflects only the nearest metric equivalents.



3400 CLEVELAND SKOKIE ILLINOIS

DRAWING NO.
TDV

DIMENSIONAL ASSEMBLY

PART NO.

Style TDV

SCALE: NTS

Cast Iron Triple Duty Valve

DATE: 07/01/2011

MAT'L: Cast Iron

REQ. ---

DR. BY DSF