

# Style TDV

Triple Duty Valve

Cast Iron (ASTM A 126, Class B)

125 lb. Flanged



## Triple Duty Valve

### APPLICATIONS

The Keckley Style TDV is a Triple Duty Valve primarily required on the discharge side of a centrifugal pump in a hydronic heating or cooling system. This valve functions as a shut-off valve, spring loaded silent check valve, and balancing valve.

### CONSTRUCTION

The Keckley Style TDV Triple Duty Valves are constructed from rugged cast iron castings that are machined to exacting specifications. These bodies have drilled flanges that are in accordance with ASME B16.1.

### FEATURES

The center guided soft seal disc ensures that there is no leakage. The rising stem design includes an adjustable position indicator for accurate disc positioning for throttling service. This unit comes with standard gauge taps at both the inlet and outlet sides and a NPT drain plug.

### WORKING PRESSURES - NON SHOCK

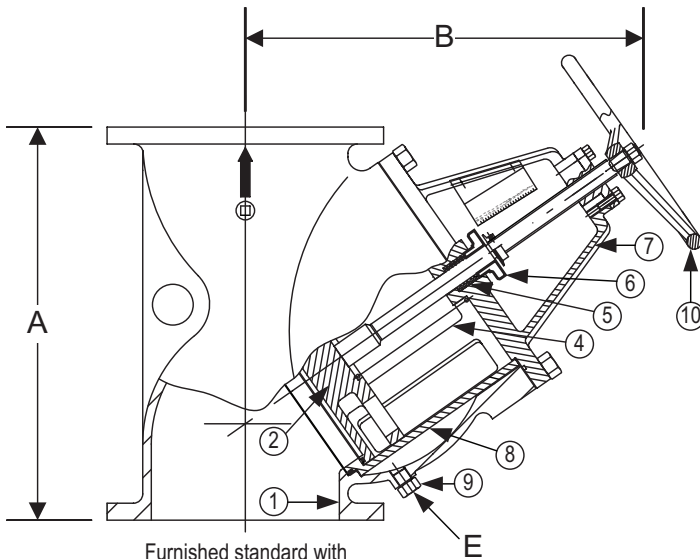
## Style TDV

Triple Duty Valve, 125 lb. Flanged  
 Cast Iron (ASTM A 126, Class B)

Designed For Pump Protection

### Features

- A Shut-off Valve
- A Spring Loaded Silent Check Valve
- A Balancing Valve



Furnished standard with  
 1/4" gauge taps & Hand Wheel

PARTS LIST		
ITEM	DESCRIPTION	MATERIAL
1	Body	Cast Iron (ASTM A 126, Class B)
2	Disc	Ductile Iron w/ vulcanized rubber
3	Stem	410 Stainless Steel
4	Spring	304 Stainless Steel
5	Packing	Graphite
6	Gland	Ductile Iron
7	Cover	Cast Iron (ASTM A 126, Class B)
8	Guide	Ductile Iron Nickel Coated
9	Plug	Carbon Steel
10	Handwheel	Cast Iron (ASTM A 126, Class B)
	O-Rings	Buna-N

SIZE		DIMENSIONS						WEIGHTS	
		A		B		E			
in	mm	in	mm	in	mm	in	mm	lbs	kgs
2	50	8-3/8	213	9-5/8	244	1/2	15	28	13
2-1/2	65	9-7/8	251	10	254	1/2	15	33	15
3	80	10	254	10-1/8	257	1/2	15	57	26
4	100	14-1/2	368	12-5/8	321	1/2	15	98	44
5	125	16	406	16-3/8	416	1/2	15	157	71
6	150	18	457	17-1/2	445	3/4	20	196	89
8	200	21-1/2	546	18-1/2	470	3/4	20	348	158
10	250	25-1/2	648	21-3/4	552	1	25	475	215
12	300	30	762	24-1/2	622	1	25	656	298
14	350	30-3/8	772	24-1/2	622	3/4	20	787	357
16	400	33-13/16	858	34-11/16	880	2	50	--	--
18	450	36-15/16	938	40-15/16	1040	2	50	--	--
20	500	41-3/8	1050						

Consult Factory

<sup>†</sup>This table reflects only the nearest metric equivalents.

## PRESSURE DROP CHART

Triple Duty Valve (Styles TDV)

