

# Style TDV

Triple Duty Valve  
 Cast Iron (ASTM A 126, Class B)  
 125 lb. Flanged



## Triple Duty Valve

### APPLICATIONS

The Keckley Style TDV is a Triple Duty Valve primarily required on the discharge side of a centrifugal pump in a hydronic heating or cooling system. This valve functions as a shut-off valve, spring loaded silent check valve, and balancing valve.

### CONSTRUCTION

The Keckley Style TDV Triple Duty Valves are constructed from rugged cast iron castings that are machined to exacting specifications. These bodies have drilled flanges that are in accordance with ASME B16.1.

### OPERATION

The Keckley Style TDV has an automatic and silent operation. The disc will open when the line pressure is approximately ¼ PSI. As the line pressure approaches zero, the spring will close the disc to prevent flow reversal and water hammer. The flow through the valve can be adjusted from bubble tight shut-off to full flow by the acme rising stem.

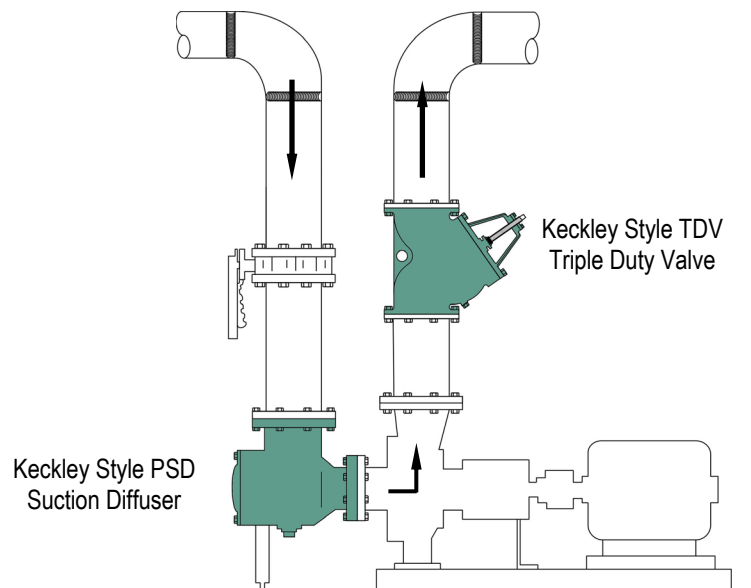
### FEATURES

The center guided soft seal disc ensures that there is no leakage. The rising stem design includes an adjustable position indicator for accurate disc positioning for throttling service. This unit comes with a standard gauge taps at both the inlet and outlet sides and a NPT drain plug.

### WORKING PRESSURES – NON SHOCK

NOM. RATING	MEDIA	2" to 12"	14" to 20"
125# (FLANGED)	W.O.G.	200 PSI @ 150°F	150 PSI @ 150°F

### TYPICAL INSTALLATION



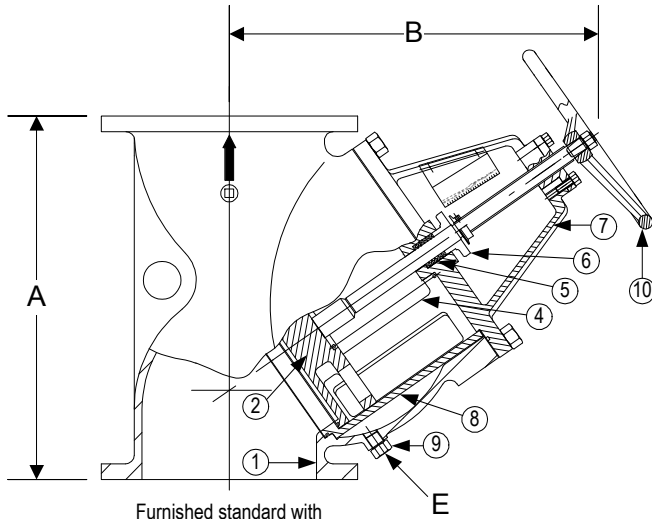
# Style TDV

**Triple Duty Valve, 125 lb. Flanged  
Cast Iron (ASTM A 126, Class B)**

Designed For Pump Protection

**Features**

- A Shut-off Valve
- A Spring Loaded Silent Check Valve
- A Balancing Valve



Furnished standard with 1/4" gauge taps & Hand Wheel

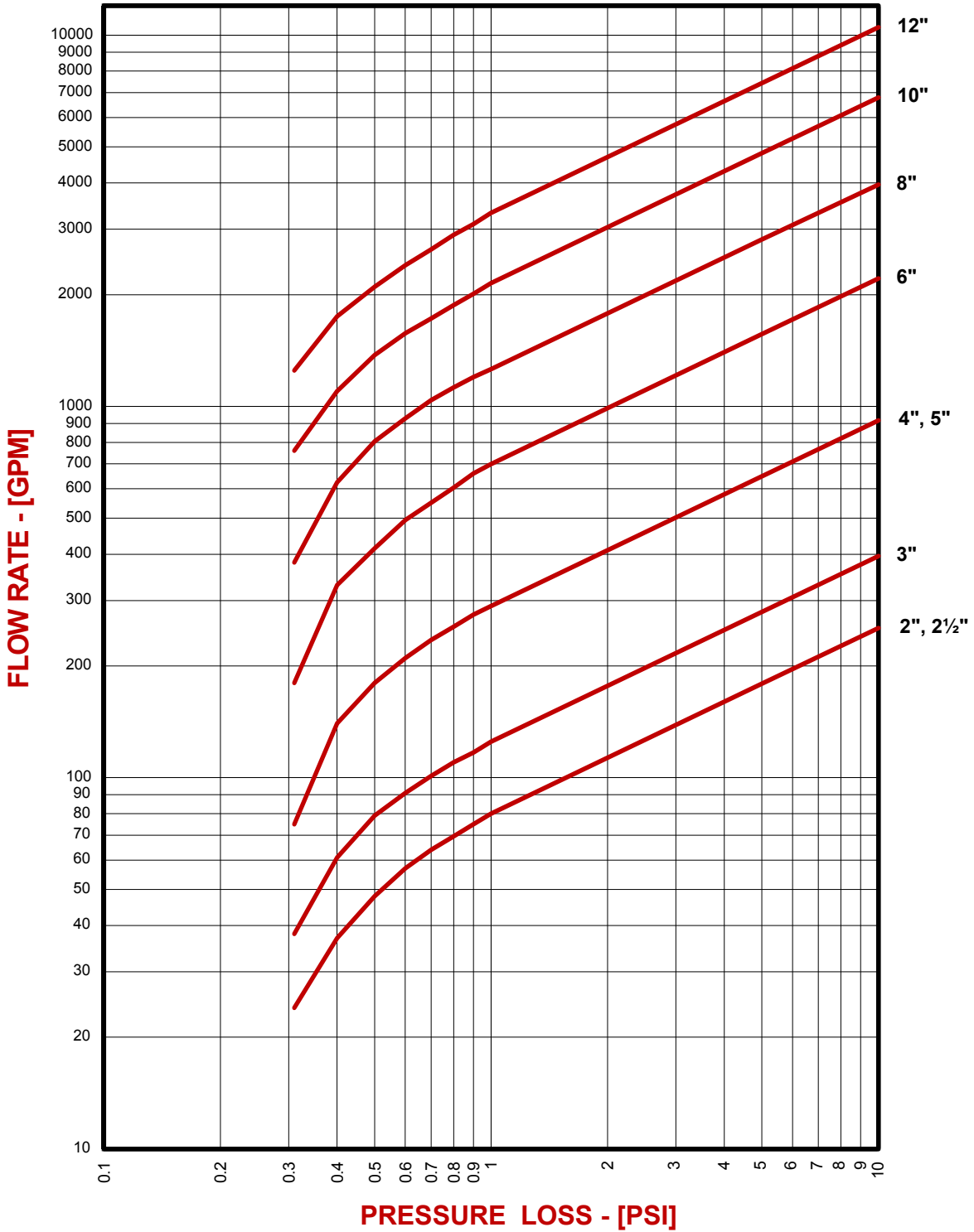
PARTS LIST			
ITEM	PART NAME	QTY	MATERIAL
1	BODY	1	CAST IRON (ASTM A 126, CLASS B)
2	DISC	1	DUCTILE IRON W/ VULCANIZED RUBBER
3	STEM	1	410 STAINLESS STEEL
4	SPRING	1	304 STAINLESS STEEL
5	PACKING	6	GRAPHITE
6	GLAND	1	DUCTILE IRON
7	COVER	1	CAST IRON (ASTM A 126, CLASS B)
8	GUIDE	1	DUCTILE IRON NICKEL COATED
9	PLUG	1	CARBON STEEL
10	HANDWHEEL	1	CAST IRON (ASTM A 126, CLASS B)
	O-RINGS		BUNA-N

SIZE		DIMENSIONS						WEIGHTS			
		A		B		E					
in	mm	in	mm	in	mm	in	mm	lbs	kgs		
2	50	8-3/8	213	9-5/8	244	1/2	15	28	13		
2-1/2	65	9-7/8	251	10	254	1/2	15	33	15		
3	80	10	254	10-1/8	257	1/2	15	57	26		
4	100	14-1/2	368	12-5/8	321	1/2	15	98	44		
5	125	16	406	16-3/8	416	1/2	15	157	71		
6	150	18	457	17-1/2	445	3/4	20	196	89		
8	200	21-1/2	546	18-1/2	470	3/4	20	348	158		
10	250	25-1/2	648	21-3/4	552	1	25	475	215		
12	300	30	762	24-1/2	622	1	25	656	298		
14	350	30-3/8	772	24-1/2	622	3/4	20	787	357		
16	400	33-13/16	858	34-11/16	880	2	50	--	--		
18	450	36-15/16	938	40-15/16	1040	2	50	--	--		
20	500	41-3/8	1050	Consult Factory							

Certified dimensional drawings are available upon request.  
†This table reflects only the nearest metric equivalents.

# PRESSURE DROP CHART

Triple Duty Valve (Styles TDV)



## % OPEN VALUES TABLE

### Triple Duty Valve (Styles TDV)

SIZE	PRESSURE DROP (PSI)						
	% OPEN	1.0 (CV) PSI	1.5 PSI	2.0 PSI	2.5 PSI	3.0 PSI	5.0 PSI
2" – 2-1/2"	25 %	28	35	40	45	49	63
	50 %	40	49	57	64	70	90
	75 %	56	69	80	89	97	126
	100 %	80	98	114	127	139	179
3"	25 %	46	57	66	73	80	103
	50 %	66	81	94	105	115	148
	75 %	90	111	128	143	156	202
	100 %	125	154	177	198	217	280
4" – 5"	25 %	115	141	163	182	200	258
	50 %	160	196	227	253	278	358
	75 %	215	264	305	340	373	481
	100 %	290	356	411	459	503	649
6"	25 %	300	367	425	475	520	671
	50 %	410	503	580	649	711	917
	75 %	540	662	764	854	936	1208
	100 %	700	858	990	1107	1213	1566
8"	25 %	600	735	849	949	1040	1342
	50 %	800	980	1132	1265	1386	1789
	75 %	1000	1225	1415	1582	1733	2237
	100 %	1260	1544	1782	1993	2183	2818
10"	25 %	1100	1348	1556	1740	1906	2460
	50 %	1400	1715	1980	2214	2425	3131
	75 %	1750	2144	2474	2767	3032	3914
	100 %	2150	2634	3041	3400	3724	4808
12"	25 %	1700	2083	2405	2688	2945	3802
	50 %	2150	2634	3041	3400	3724	4808
	75 %	2650	3246	3748	4190	4590	5926
	100 %	3320	4067	4696	5250	5751	7424
<b>FLOW RATE (GPM)</b>							